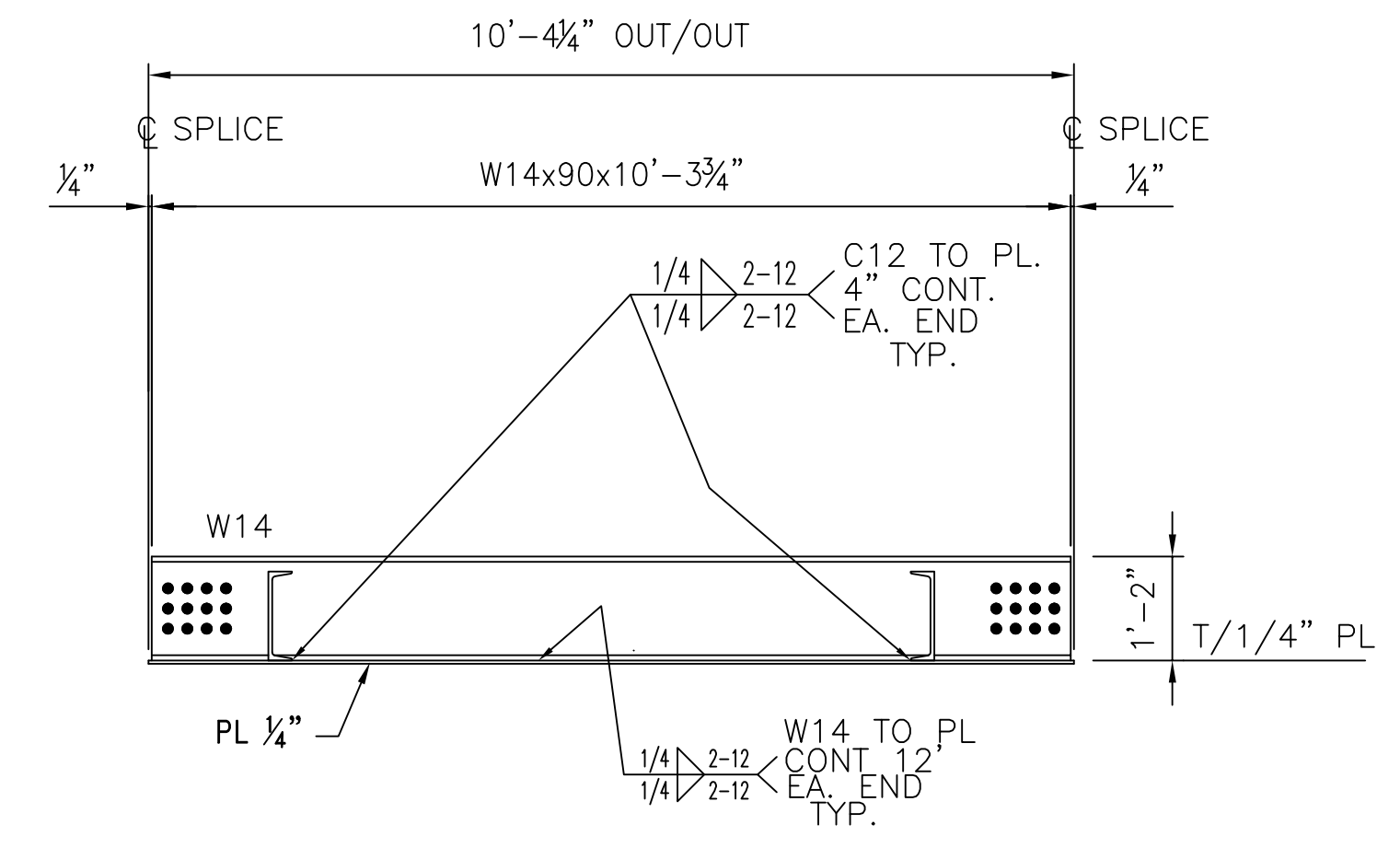
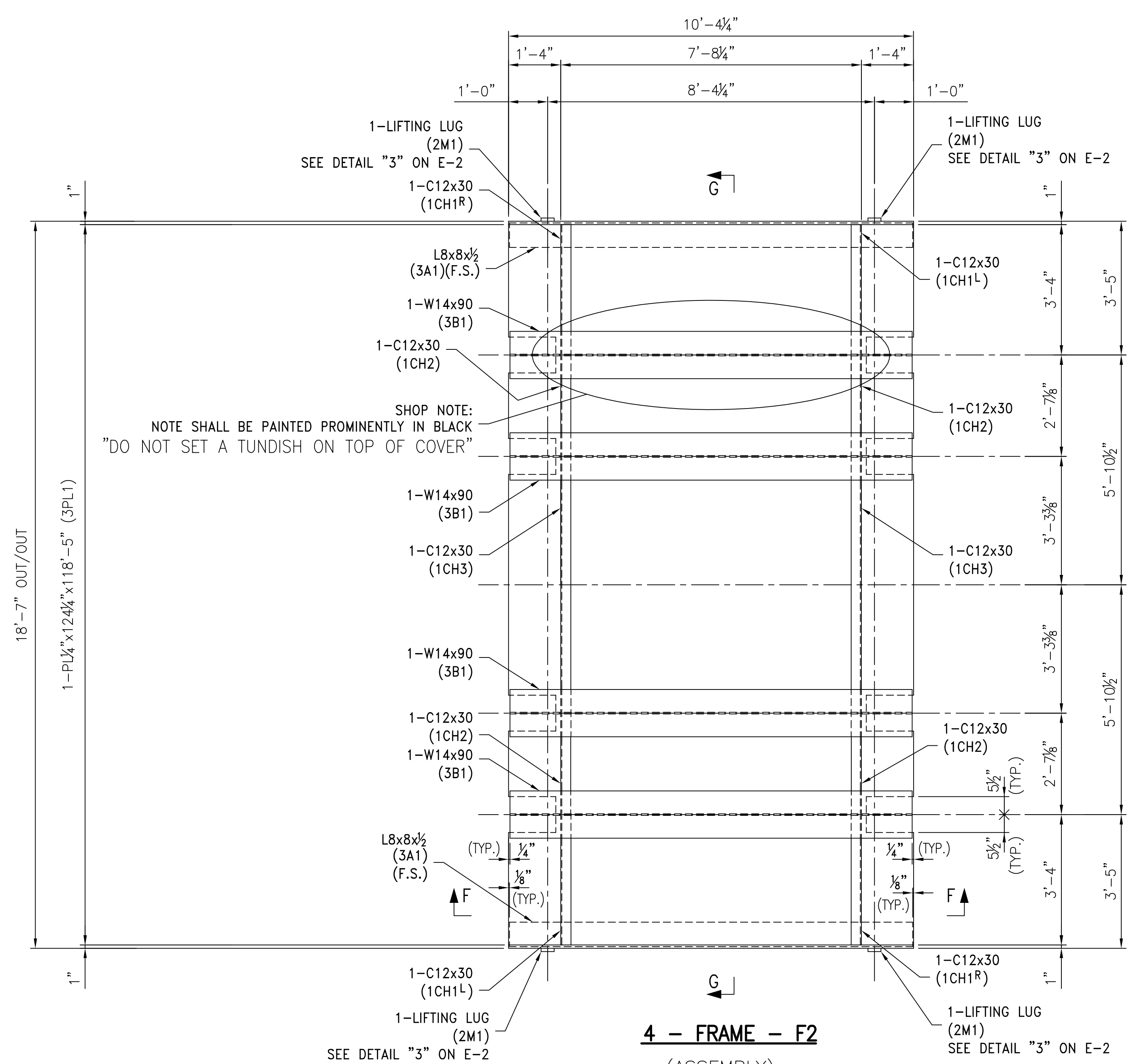


LIFT PIN ASSEMBLY TYPICAL

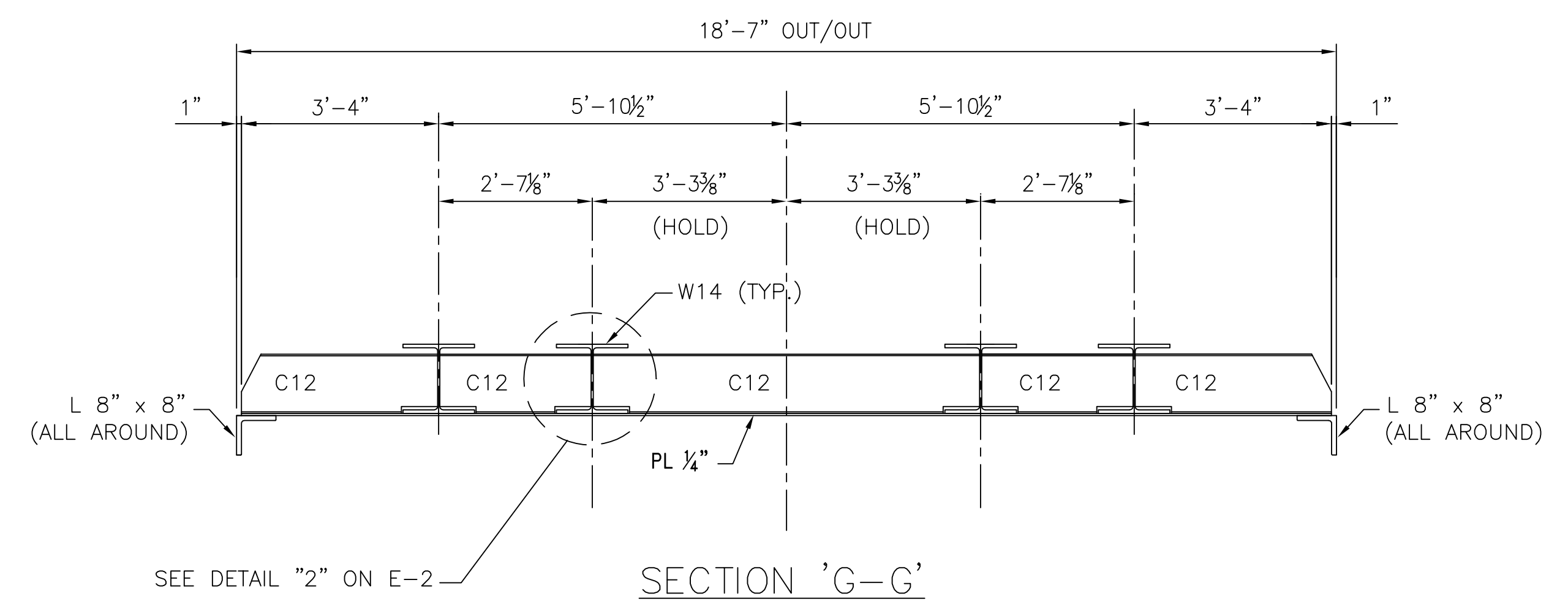
PIPE SUPPORT ASSEMBLY TYPICAL



SECTION 'F-F'



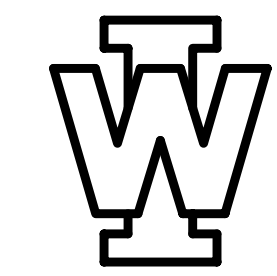
4 - FRAME - F2 (ASSEMBLY)



SECTION 'G-G'

FOR APPROVAL ONLY
 DATE: 04-13-11

PAINT NOTE:
SHOP PRIME & PAINT YELLOW ENAMEL



WILSON IRON WORKS
 1150 EAST SUMMIT ST.
 CROWN POINT, IN
 (219) 663-7900 - 769-8686

4		
3		
2		
1		
REV	DESCRIPTION	DATE

PROJECT ArcelorMittal USA - BURNS HARBOR		
CASTER No. 2 TUNDISH PIT COVER		
G.C. ArcelorMittal USA		
JOB NO.	DRAWN BY	DRAWING NO.
S11022	RAV	E-3
DATE	CHK'D BY	
04/07/11		