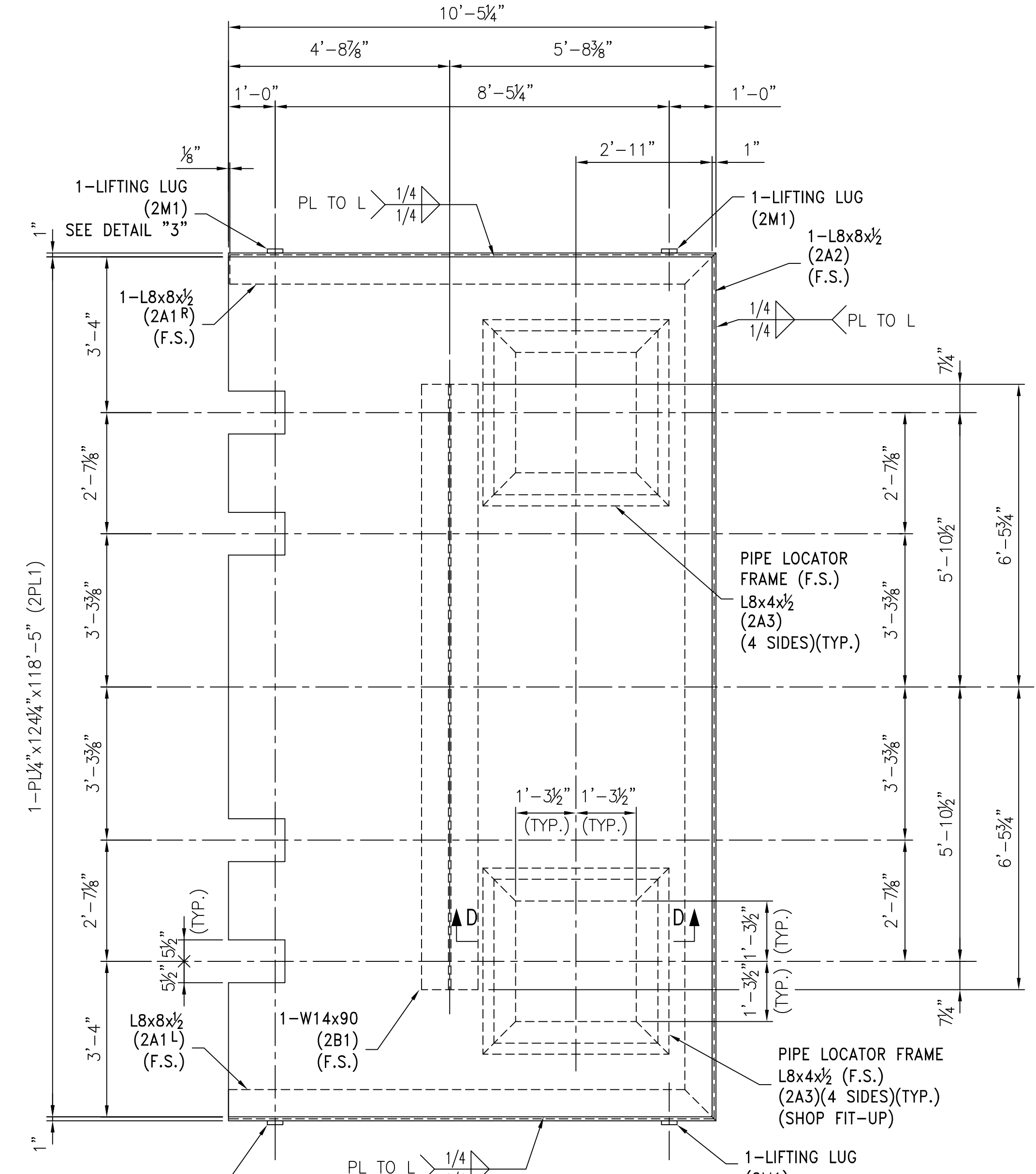
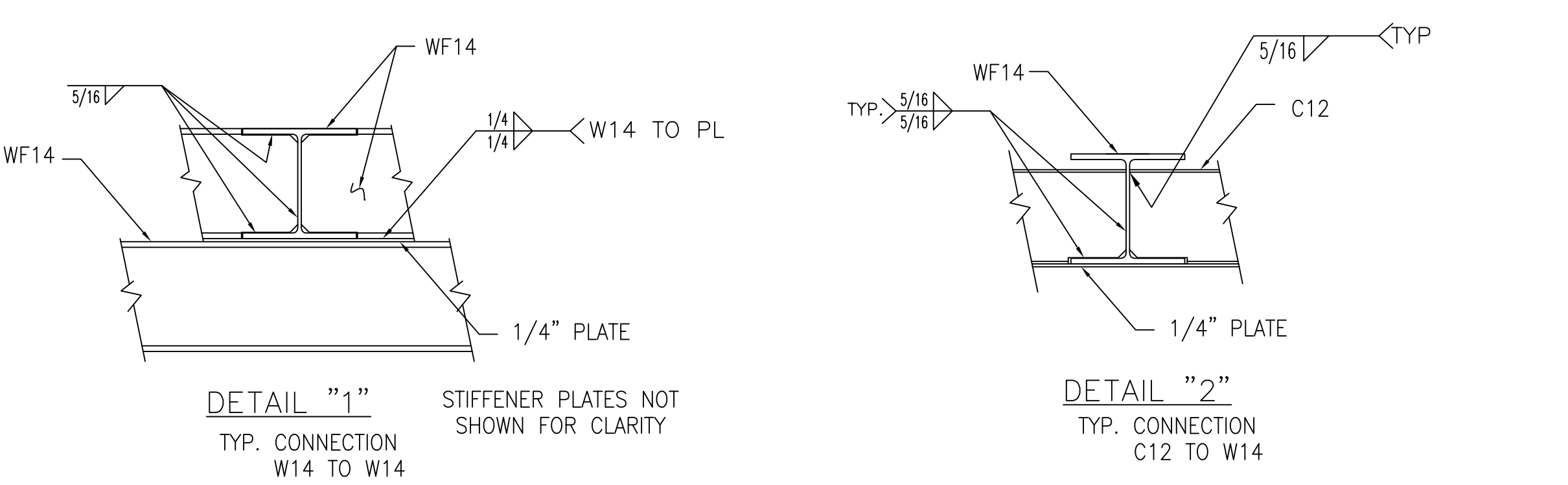


2 - FRAME - F1^R
2 - FRAME - F1^L
 (ASSEMBLY)

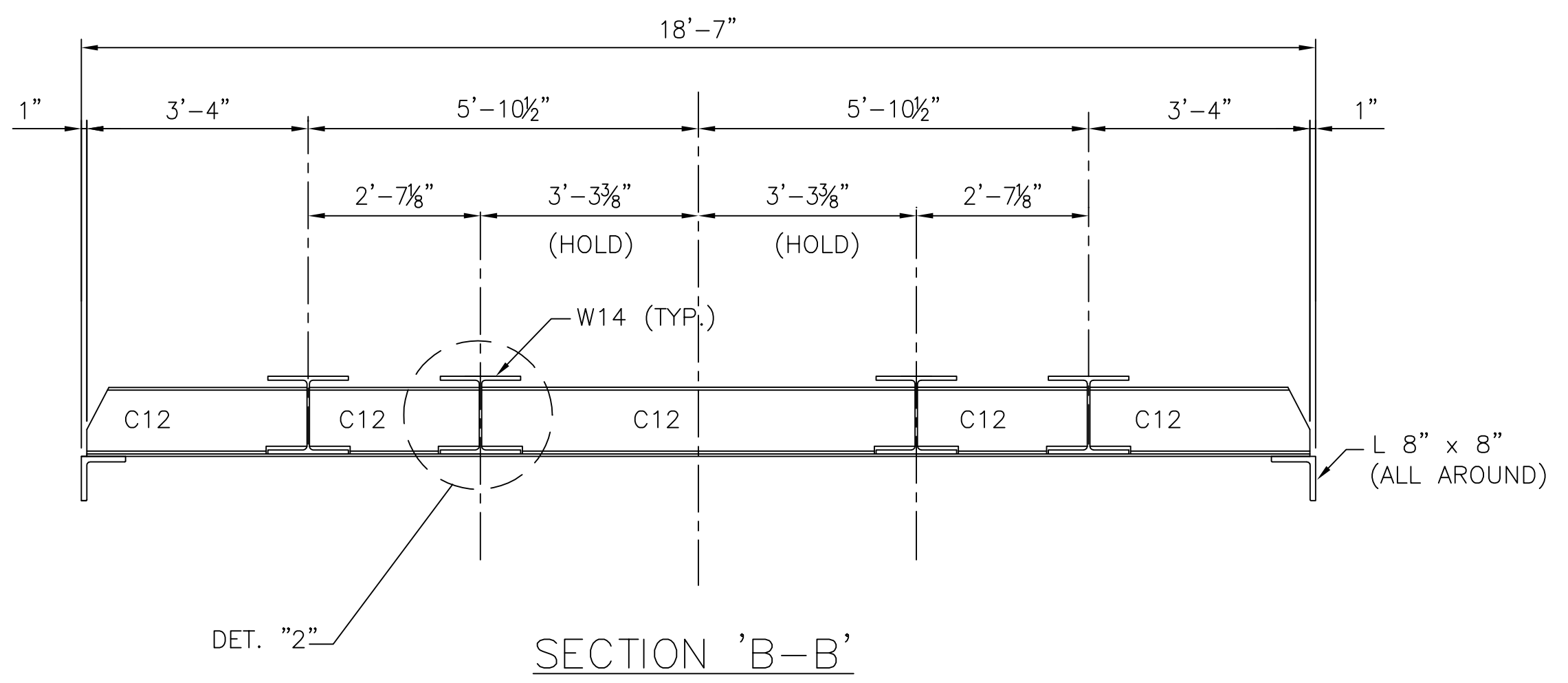


PIT COVER PLATE DETAIL
 (SUPPORT STEEL MEMBERS OMITTED FOR CLARITY)

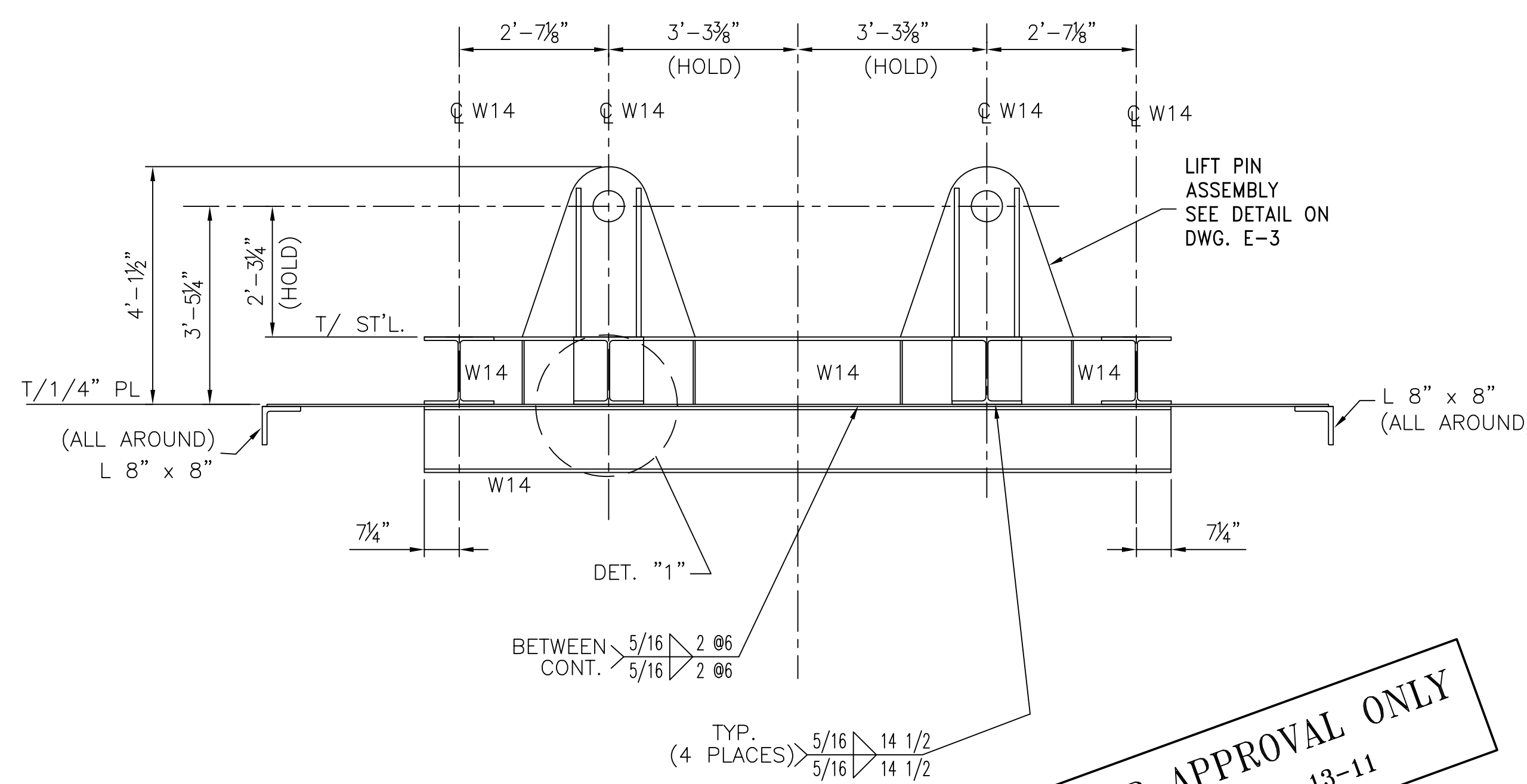


DETAIL "1"
 TYP. CONNECTION
 W14 TO W14

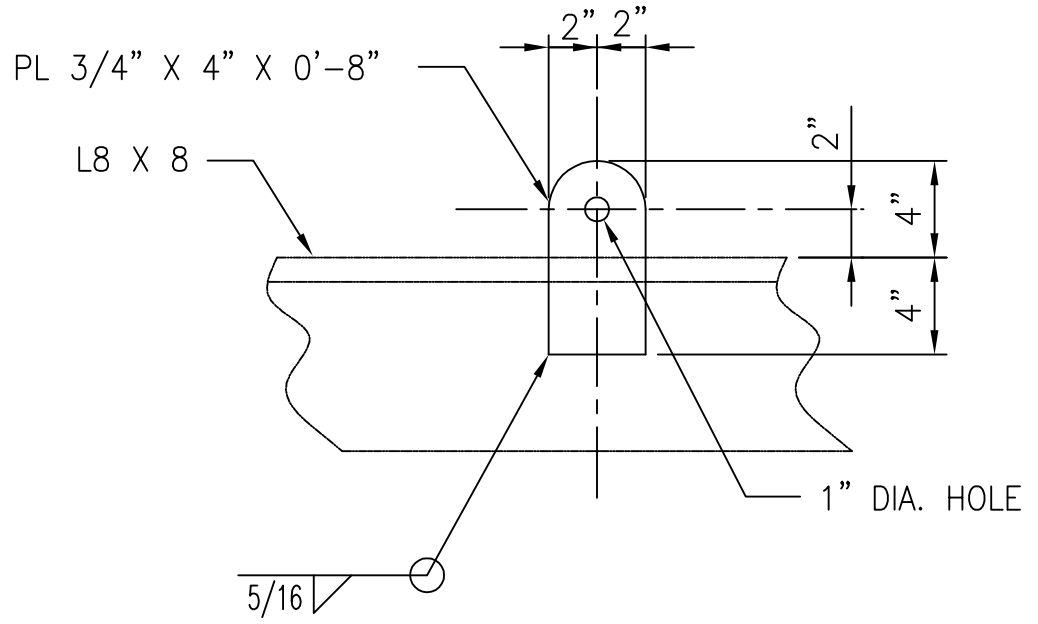
DETAIL "2"
 TYP. CONNECTION
 C12 TO W14



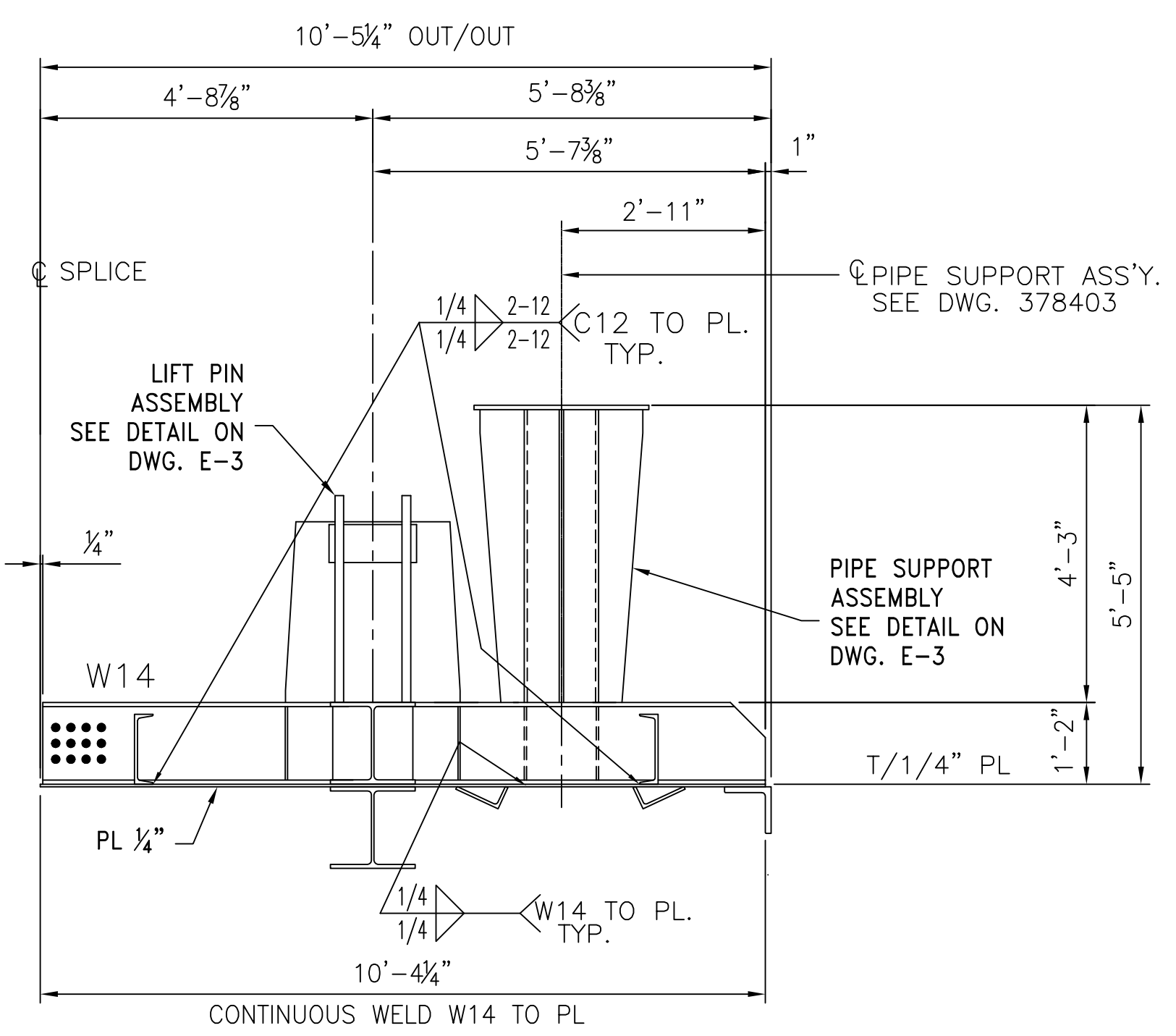
SECTION 'B-B'



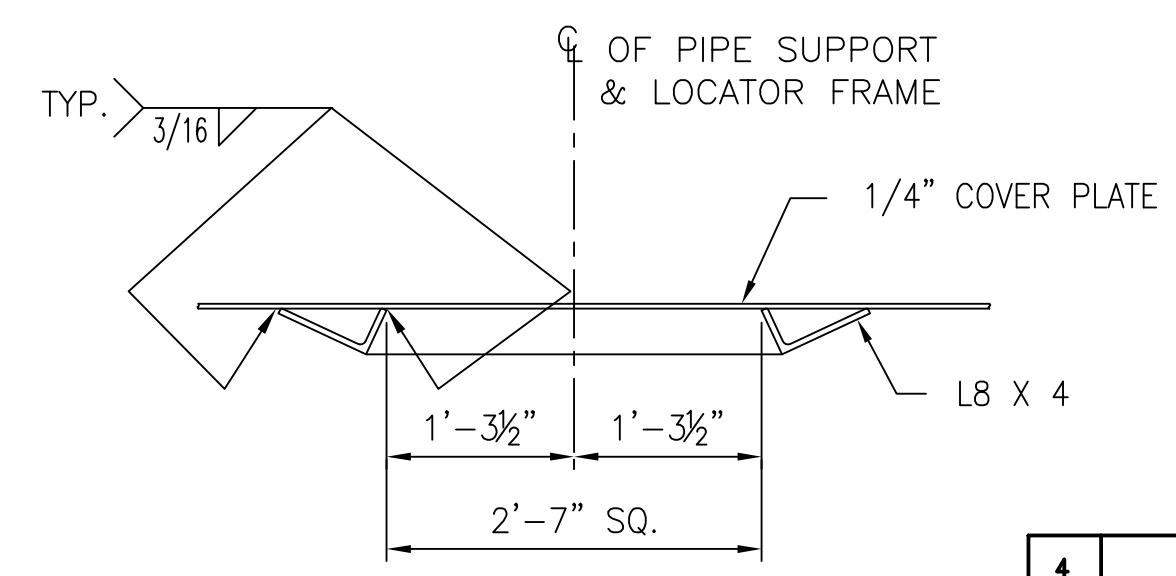
SECTION 'C-C'



DETAIL "3"
 (TYPICAL ERECTION LIFTING LUG)



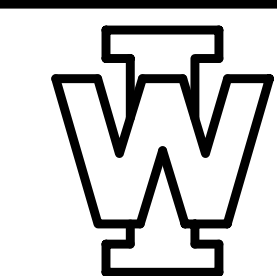
SECTION 'A-A'



SECTION 'D-D'
 (TYPICAL LOCATOR FRAME)
 (4 ASSEMBLIES REQ'D.)

FOR APPROVAL ONLY
 DATE: 04-13-11

PAINT NOTE:
 SHOP PRIME & PAINT YELLOW ENAMEL



WILSON IRON WORKS
 1150 EAST SUMMIT ST.
 CROWN POINT, IN
 (219) 663-7900 - 769-8686

PROJECT ArcelorMittal USA - BURNS HARBOR		CASTER No. 2 TUNDISH PIT COVER	
g.c. ArcelorMittal USA		JOB NO. S11022	
DRAWN BY RAV	DATE 04/07/11	DRAWING NO. E-2	
CHK'D BY			

REV	DESCRIPTION	DATE
4		
3		
2		
1		