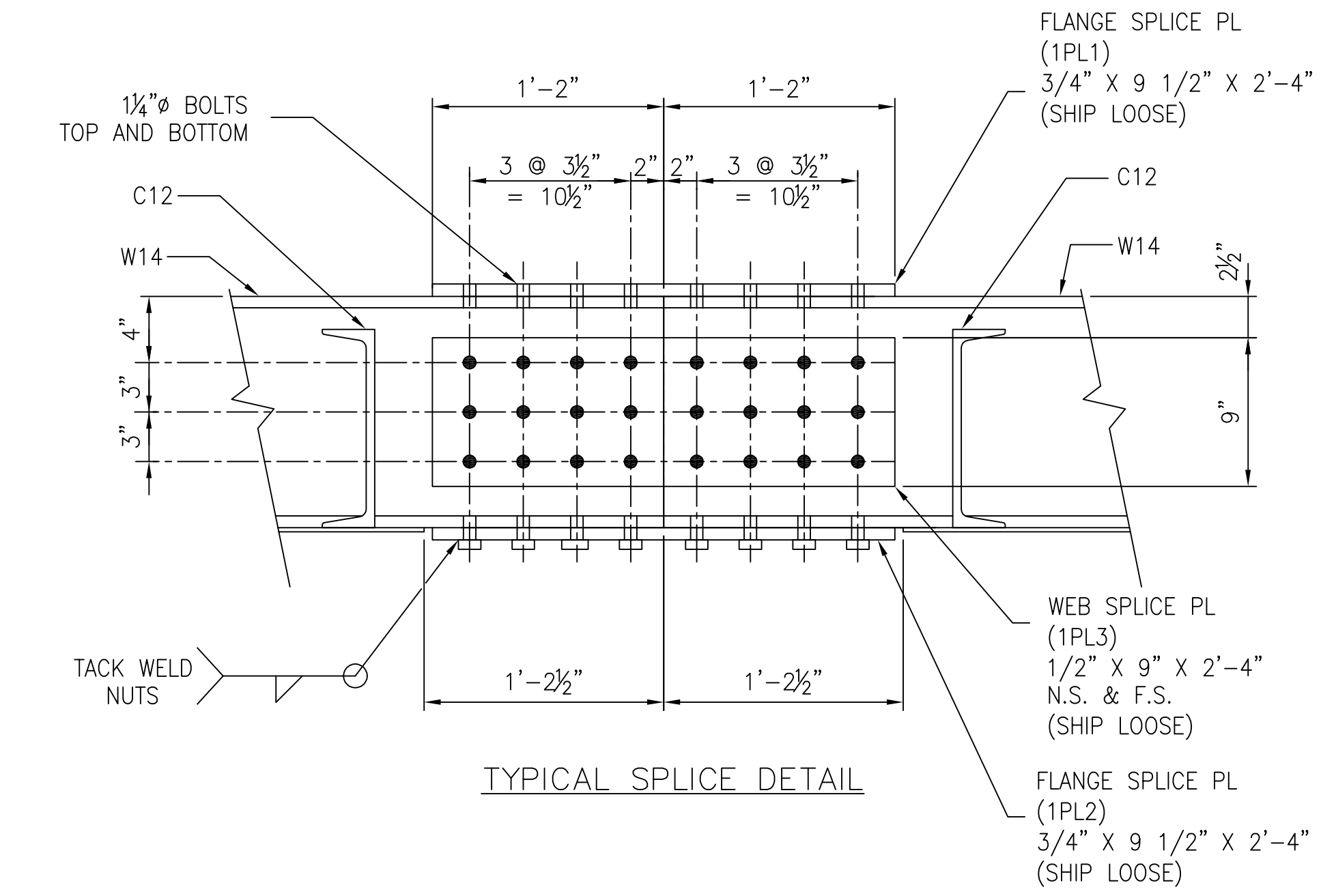
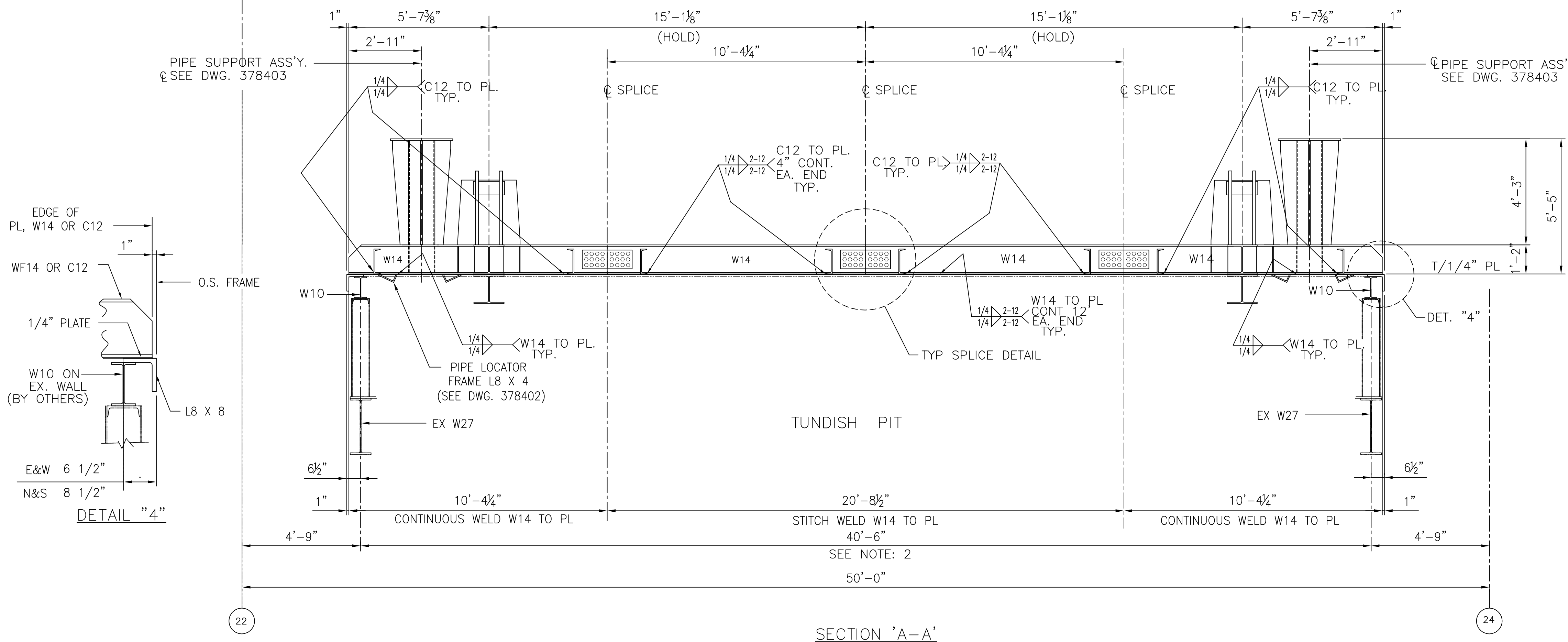


**PIT COVER FRAMING PLAN**  
 FOR COVER PL. PANELS SEE DWG. 378402  
 NOTE: ALL C12 SHALL BE C12 X 30  
 ALL W14 SHALL BE W14 X 90



**FOR APPROVAL ONLY**  
 DATE: 04-13-11



SECTION 'A-A'

**WILSON IRON WORKS**  
 1150 EAST SUMMIT ST.  
 CROWN POINT, IN  
 (219) 663-7900 - 769-8686

PROJECT ArcelorMittal USA - BURNS HARBOR  
 CASTER No. 2 TUNDISH PIT COVER  
 g.c. ArcelorMittal USA

JOB NO. S11022  
 DRAWN BY RAV  
 DATE 04/07/11  
 CHK'D BY

DRAWING NO. E-1

REV	DESCRIPTION	DATE
4		
3		
2		
1		