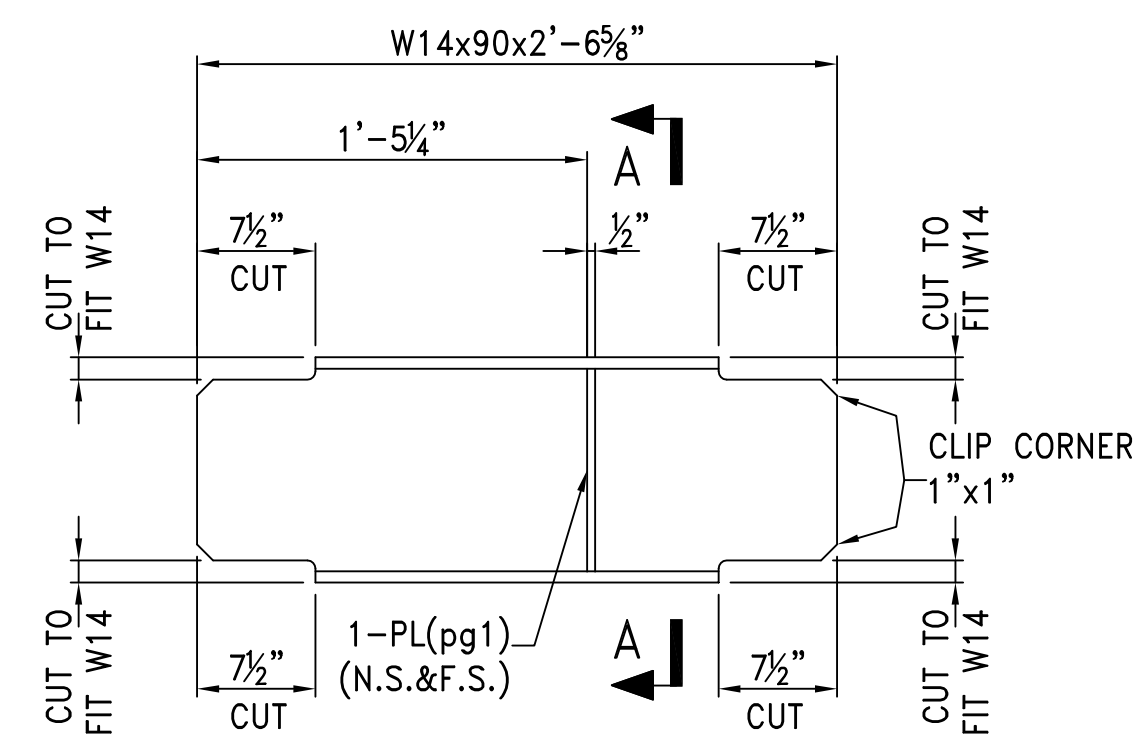
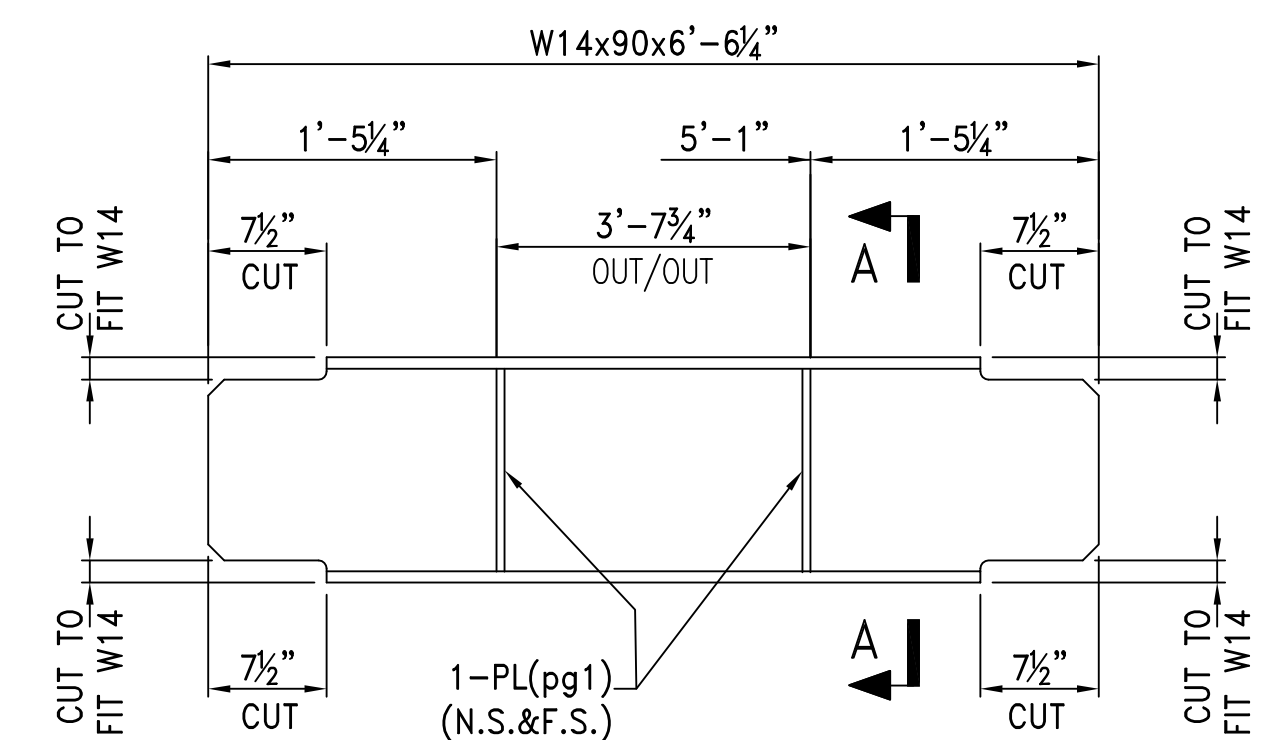


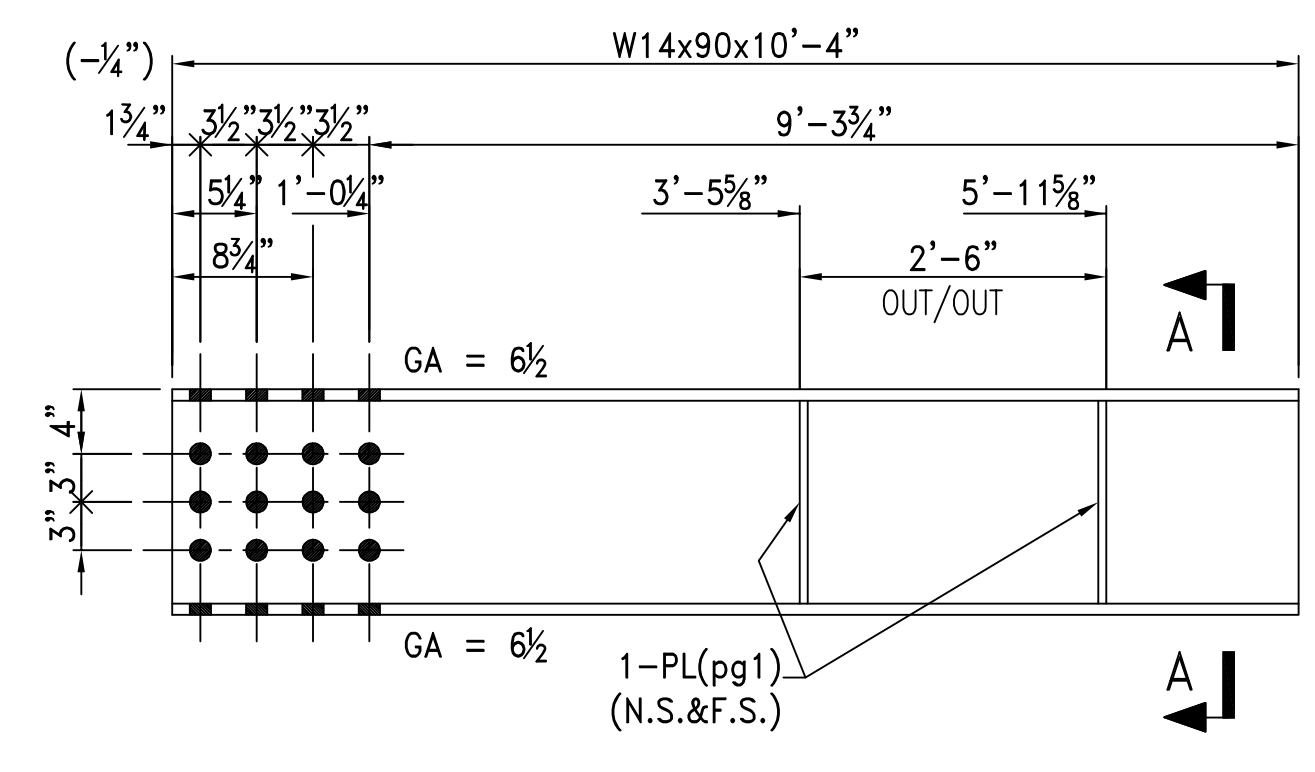
8 - BEAM - 1B1



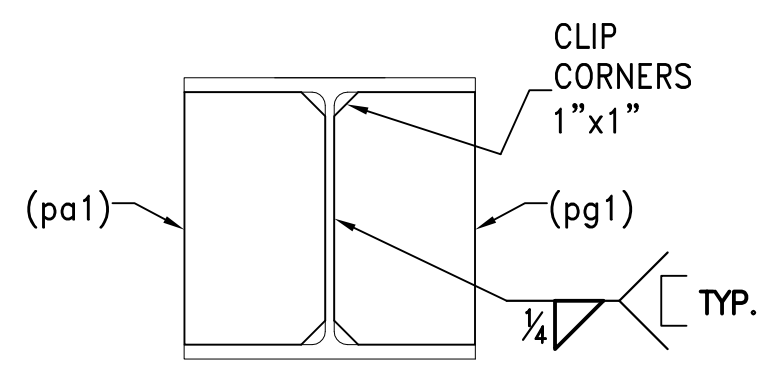
8 - BEAM - 1B2



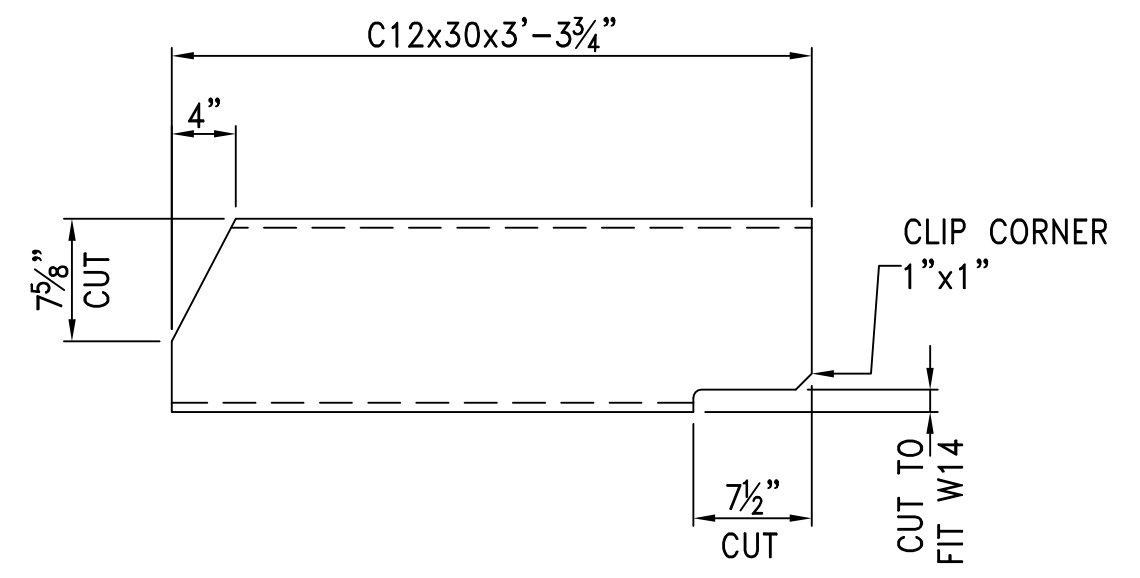
4 - BEAM - 1B3



8 - BEAM - 1B4

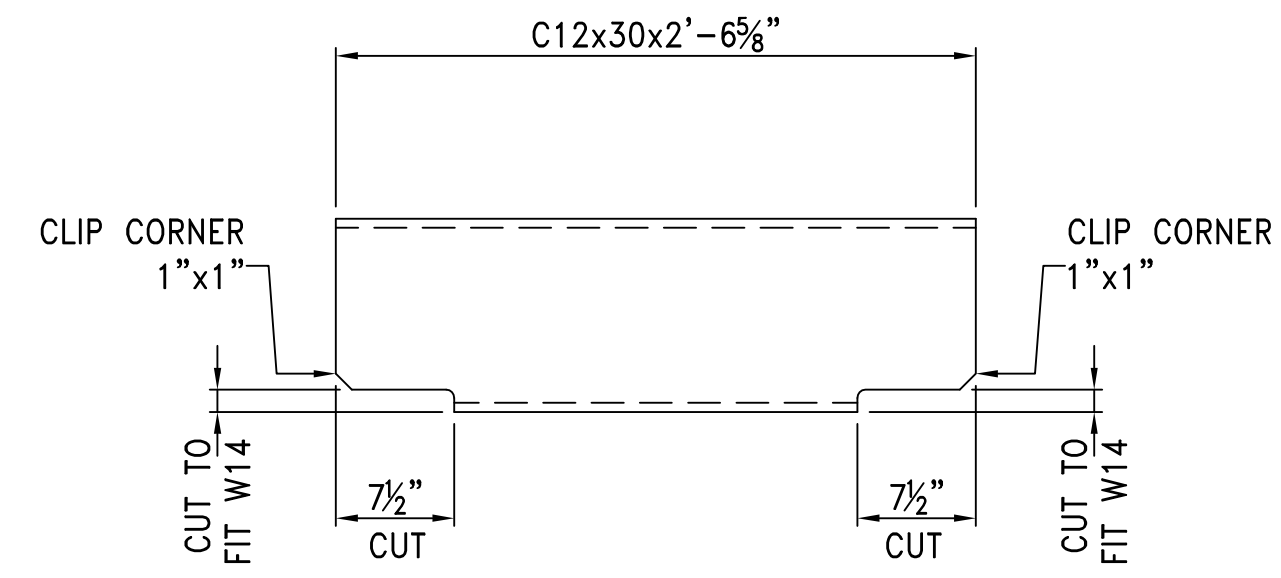


SECTION A-A

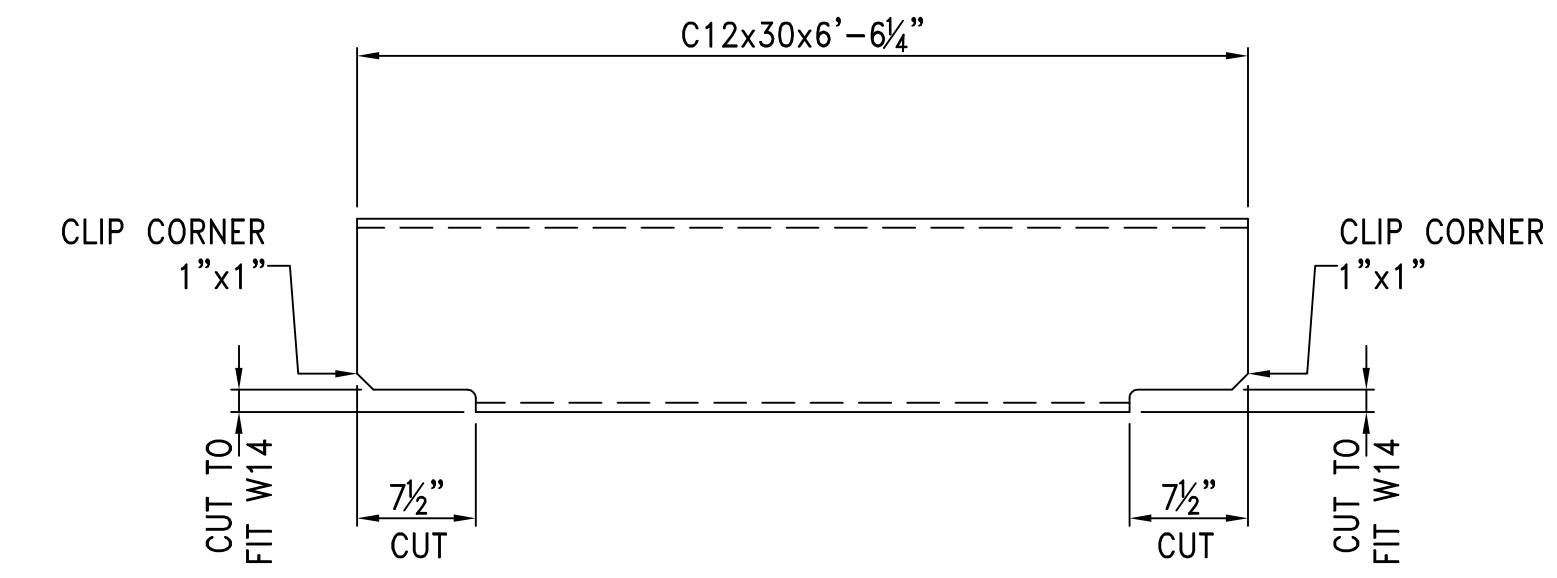


16 - CHANNEL - 1CH1R

16 - CHANNEL - 1CH1L

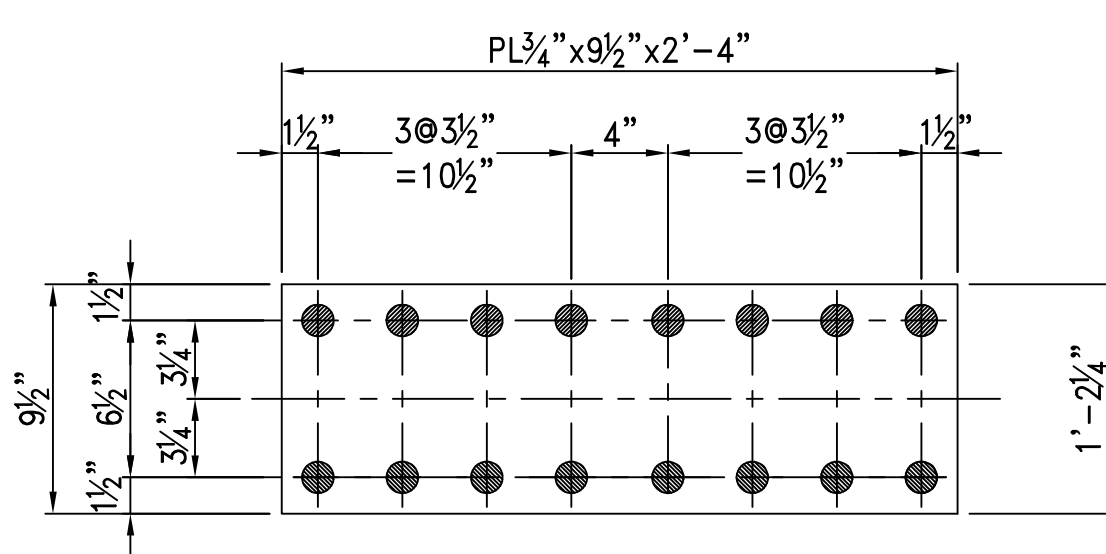


32 - CHANNEL - 1CH2

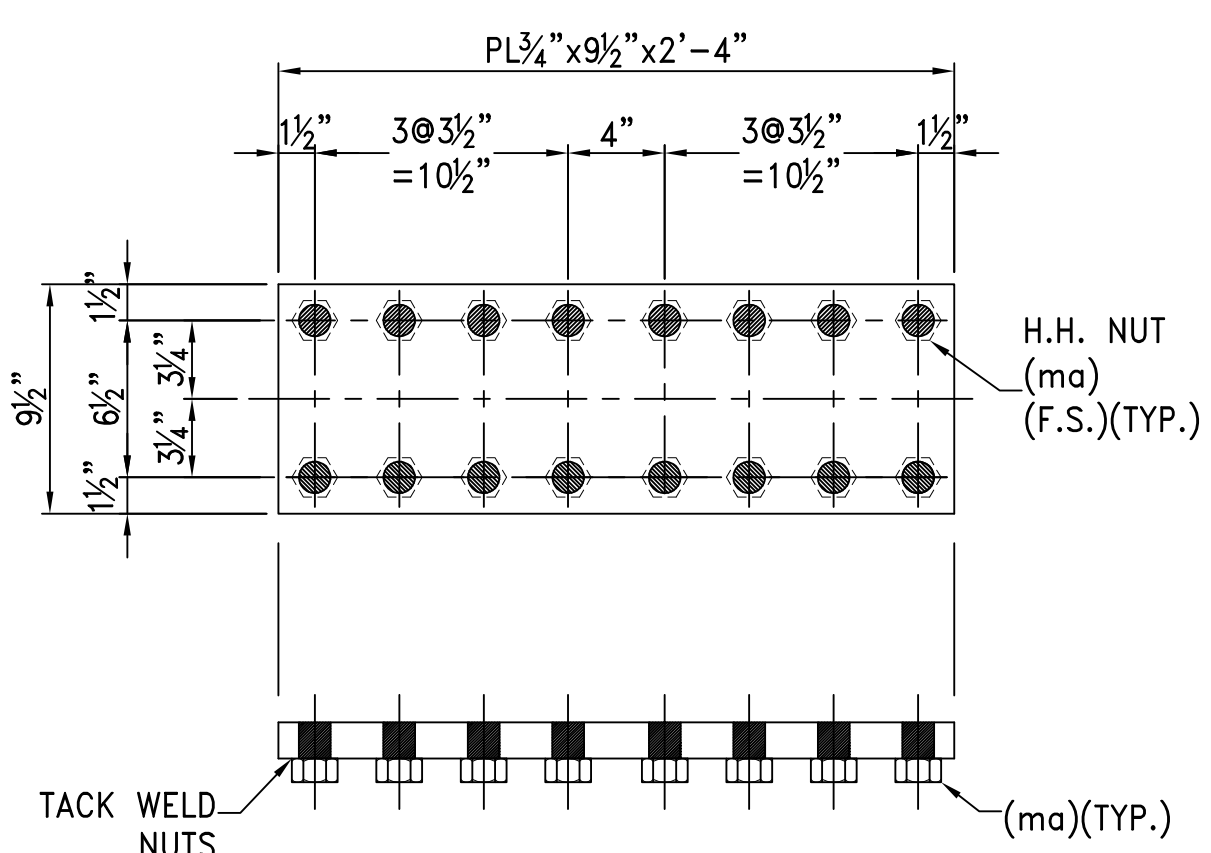


16 - CHANNEL - 1CH3

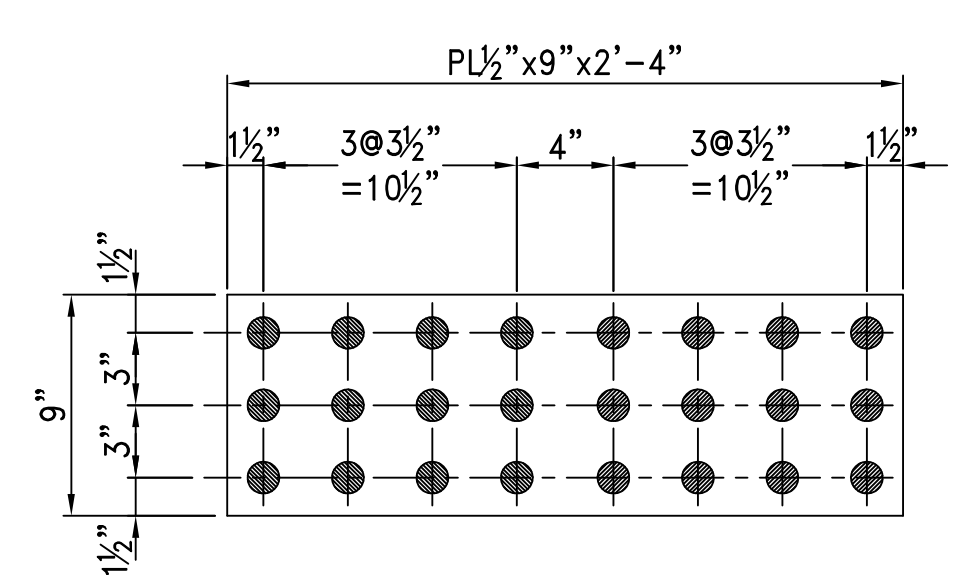
SHOP NOTE:
1 5/16" ø HLS. TYP. U.N.O.



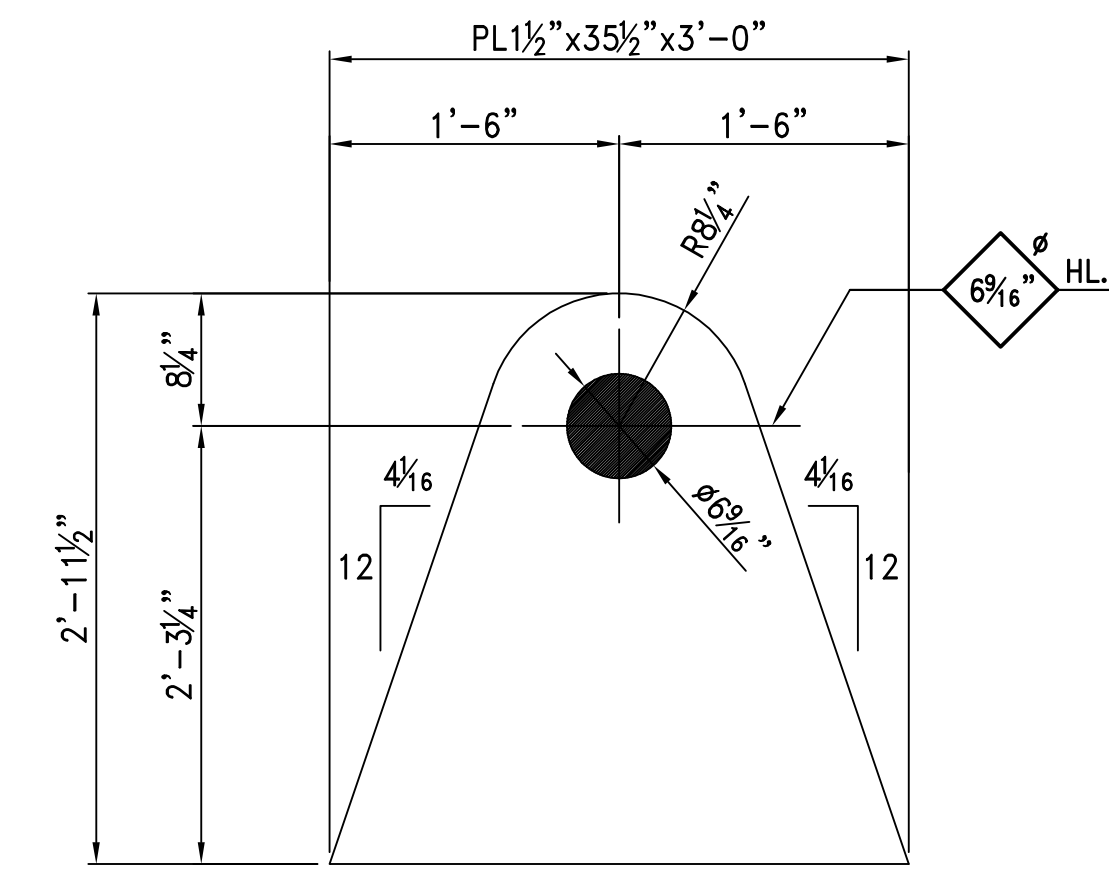
12 - SPLICE PLATE - 1PL1



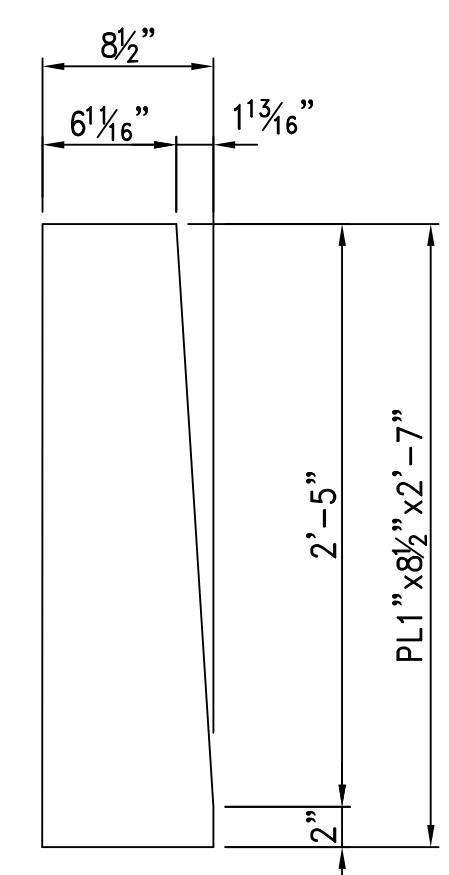
12 - SPLICE PLATE - 1PL2



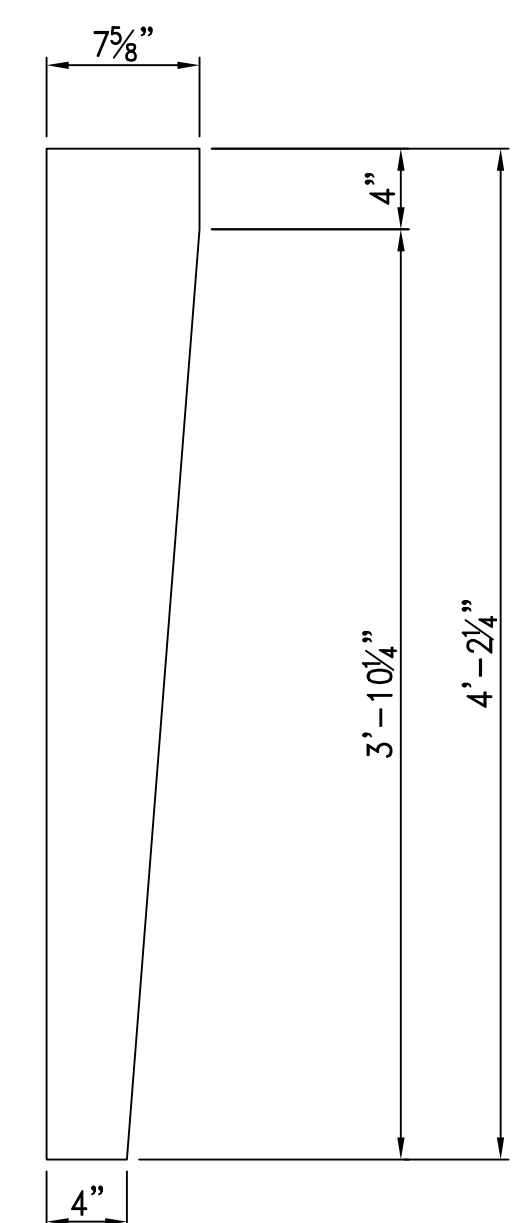
24 - SPLICE PLATE - 1PL3



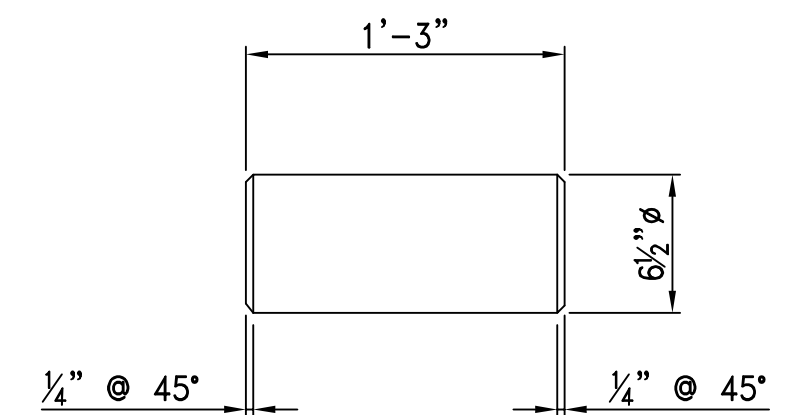
16 - LIFT PLATE - 1PL4



32 - STIFF. PLATE - 1PL5



32 - STIFF. PLATE - 1PL6



8 - BAR - 1M1

PAINT NOTE:
SHOP PRIME & PAINT YELLOW ENAMEL

W BILL OF MATERIAL

NO REQ'D	MARK NO	DESCRIPTION	LENGTH		REMARKS	SAW CUT
			FT	IN		
8	1B1	BEAM				
8		W14 x 90	10	4		
32	pa1	PL 1/2 x 7	1	0 5/16		
8	1B2	BEAM				
8		W14 x 90	2	6 5/8		
16	pa1	PL 1/2 x 7	1	0 5/16		
4	1B3	BEAM				
4		W14 x 90	6	6 1/4		
16	pa1	PL 1/2 x 7	1	0 5/16		
8	1B4	BEAM				
8		W14 x 90	10	4		
32	pa1	PL 1/2 x 7	1	0 5/16		
16/16	1CH1R/L	CHANNEL				
32		C12 x 30	3	3 3/4		
32	1CH2	CHANNEL				
32		C12 x 30	2	6 5/8		
16	1CH3	CHANNEL				
16		C12 x 30	6	6 1/4		
12	1PL1	SPLICE PLATE				
12		PL 3/4 x 9 1/2	1	2		
12	1PL2	SPLICE PLATE				
12		PL 3/4 x 9 1/2	1	2		
192	ma	1 1/4" ø H.H. NUT			NUTS TAKEN FROM FIELD BOLT COUNT	
24	1PL3	SPLICE PLATE				
24		PL 1/2 x 9	1	2		
16	1PL4	LIFT PLATE				
16		PL 1 1/2 x 35 1/2	3	0		
32	1PL5	STIFF. PLATE				
32		PL 1 x 8 1/2	2	7		
16	1PL6	STIFF. PLATE				
16		PL 3/8 x 7 7/8	4	2 1/4		
8	1M1	BAR 6 1/2" ø	1	3		
PLAIN MATERIAL (No Sketch)						
8	1M2	PIPE 12" ø XH	4	2 1/4		
8	1PL7	PL 1 x 10	2	7		
8	1PL8	PL 3/4 x 30	2	6		

FIELD BOLTS:
672 - 1 1/4" ø x 3 1/4" A325 BOLT W/H.H. NUT & WA.

FOR APPROVAL ONLY
DATE: 04-13-11

WILSON IRON WORKS, INC.
1150 EAST SUMMIT ST.
CROWN POINT, IN
(219) 663-7900 - 769-8686

SHOP NOTES
MAT'L A36 U.N.
OPEN HLS. 1 5/16" ø U.N.
WELDING E70XX
PAINT SEE NOTE

PROJECT ArcelorMittal USA - BURNS HARBOR
CASTER No. 2 TUNDISH PIT COVER SHOP DWGS.
g.c. ArcelorMittal USA

JOB NO. S11022
DRAWN BY RAV
DATE 04/07/11
CHK'D BY

DRAWING NO. 1

REV	DESCRIPTION	DATE
4		
3		
2		
1		