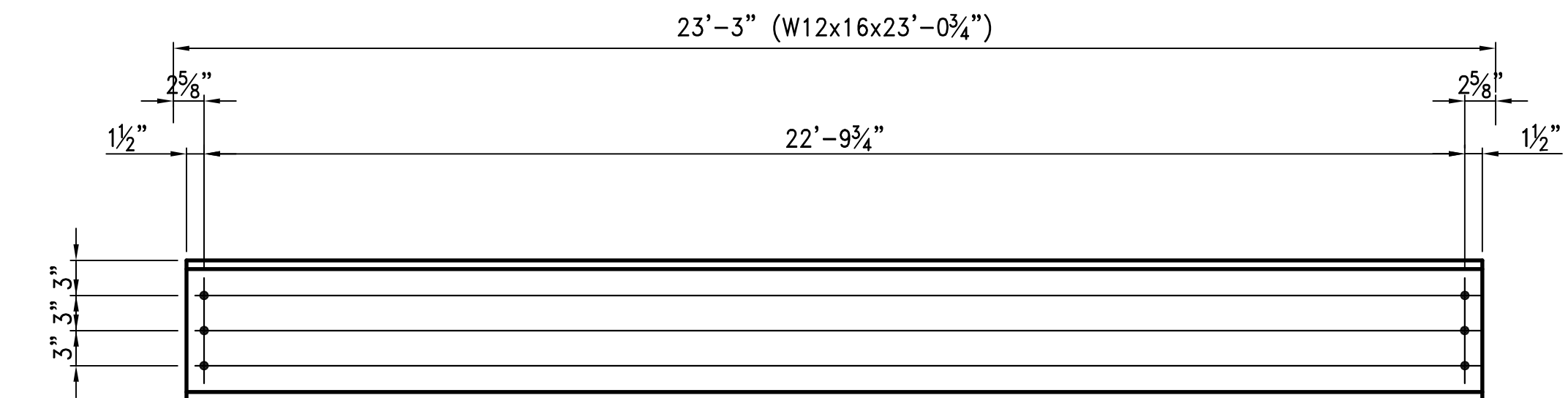
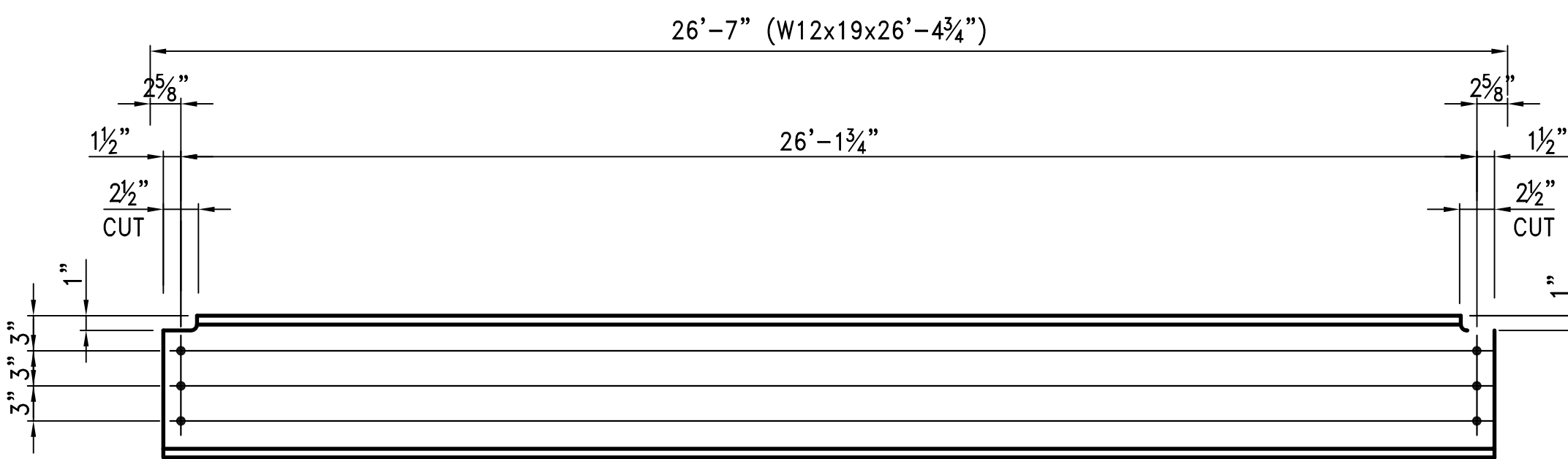


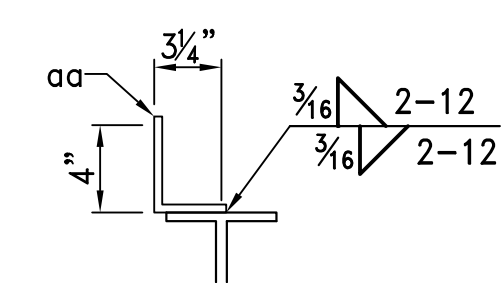
4 - BEAM - 4B1A



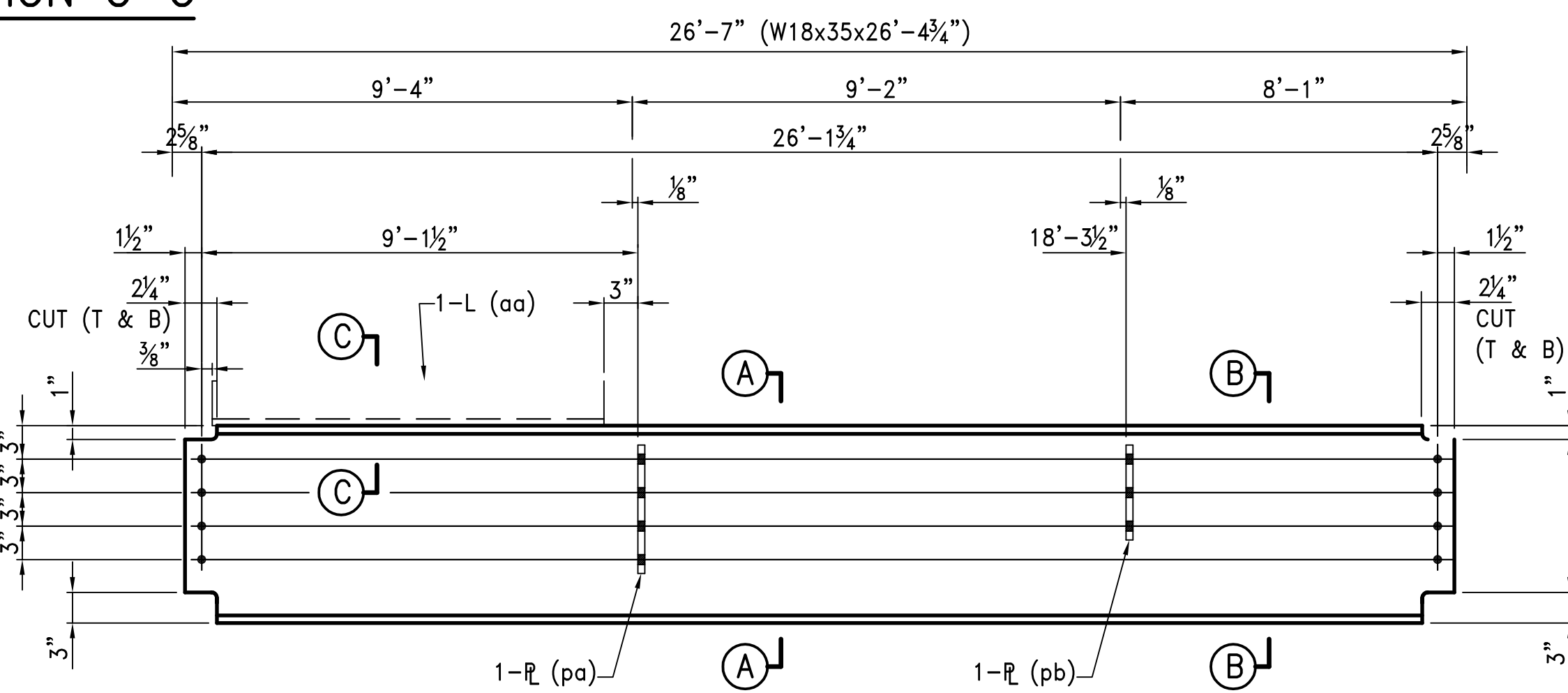
2 - BEAM - 4B2A



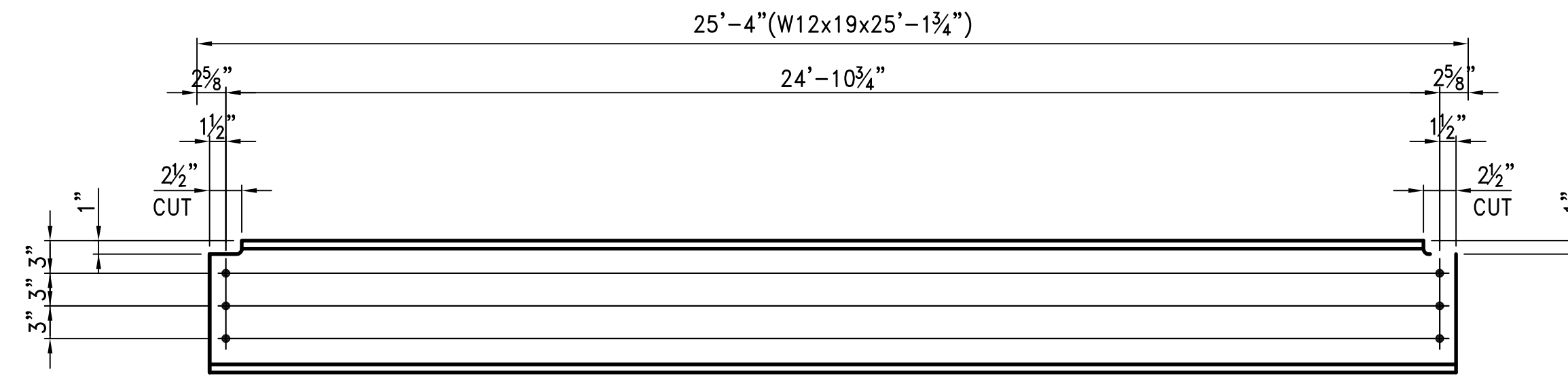
2 - BEAM - 4B3A
 2 - BEAM - 4B3B
 2 - BEAM - 4B3C
 2 - BEAM - 4B3D



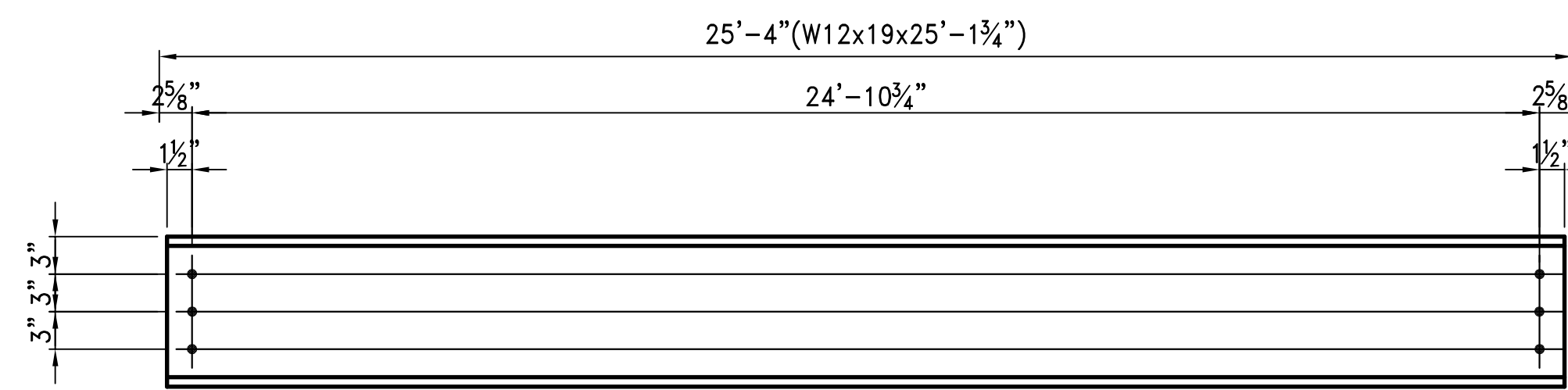
SECTION C-C



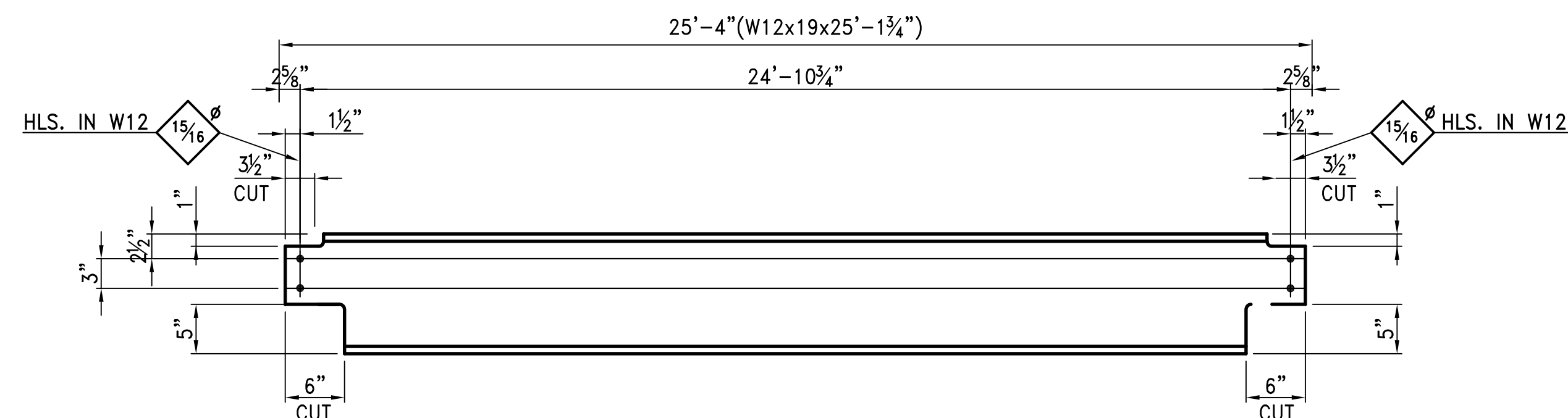
ONE - BEAM - 4B4A



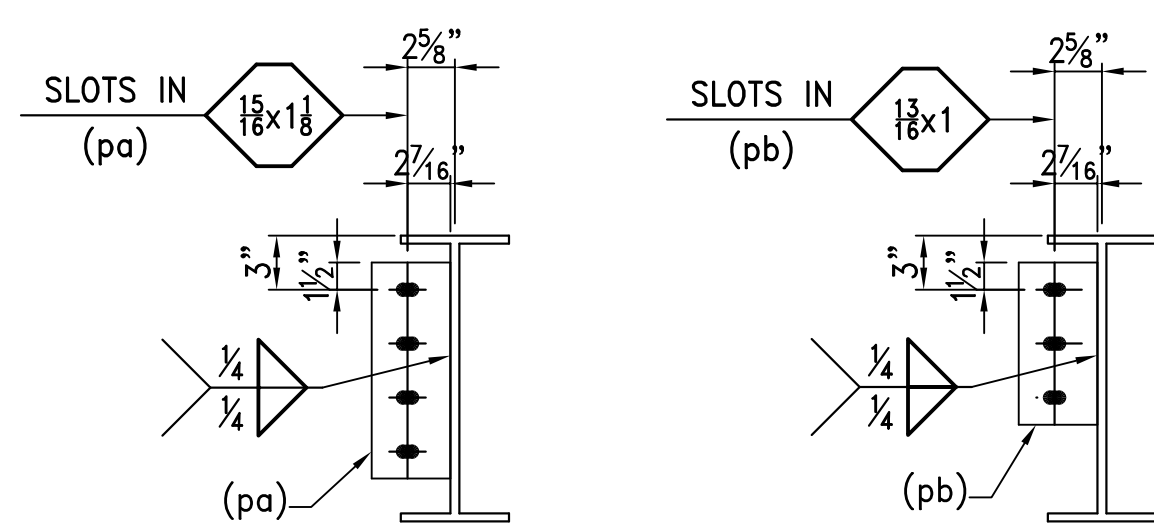
4 - BEAM - 4B5A
 6 - BEAM - 4B5B
 6 - BEAM - 4B5C
 6 - BEAM - 4B5D
 6 - BEAM - 4B5F



ONE - BEAM - 4B6A
 2 - BEAM - 4B6B
 2 - BEAM - 4B6C
 2 - BEAM - 4B6D
 2 - BEAM - 4B6F



2 - BEAM - 4B7A



SECTION A-A

SECTION B-B

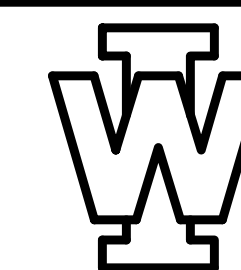
W BILL OF MATERIAL

NO REQ'D	MARK NO	DESCRIPTION	LENGTH		REMARKS	SAW CUT
			FT	IN		
4	4B1A	BEAM				
4		W12 x 16	23	0 3/4	A992 GR 50	
2	4B2A	BEAM				
2		W12 x 16	23	0 3/4	A992 GR 50	
2	4B3A	BEAM				
2		W12 x 19	26	4 3/4	A992 GR 50	
2	4B3B	BEAM				
2		W12 x 19	26	4 3/4	A992 GR 50	
2	4B3C	BEAM				
2		W12 x 19	26	4 3/4	A992 GR 50	
2	4B3D	BEAM				
2		W12 x 19	26	4 3/4	A992 GR 50	
ONE	4B4A	BEAM				
1		W18 x 35	26	4 3/4	A992 GR 50	
1	pa	PL 3/8 x 4	1	0		
1	pb	PL 3/8 x 4	0	9		
1	aa	L 4 x 3 x 1/4	8	10		
4	4B5A	BEAM				
4		W12 x 19	25	1 3/4	A992 GR 50	
6	4B5B	BEAM				
6		W12 x 19	25	1 3/4	A992 GR 50	
6	4B5C	BEAM				
6		W12 x 19	25	1 3/4	A992 GR 50	
6	4B5D	BEAM				
6		W12 x 19	25	1 3/4	A992 GR 50	
6	4B5E	BEAM				
6		W12 x 19	25	1 3/4	A992 GR 50	
6	4B5F	BEAM				
6		W12 x 19	25	1 3/4	A992 GR 50	
ONE	4B6A	BEAM				
ONE		W12 x 19	25	1 3/4	A992 GR 50	
2	4B6B	BEAM				
2		W12 x 19	25	1 3/4	A992 GR 50	
2	4B6C	BEAM				
2		W12 x 19	25	1 3/4	A992 GR 50	
2	4B6D	BEAM				
2		W12 x 19	25	1 3/4	A992 GR 50	
2	4B6E	BEAM				
2		W12 x 19	25	1 3/4	A992 GR 50	
2	4B6F	BEAM				
2		W12 x 19	25	1 3/4	A992 GR 50	
2	4B7A	BEAM				
2		W12 x 19	25	1 3/4	A992 GR 50	

FIELD BOLTS:
 3 - 3/4" x 2" A325 BOLTS w/H.H. NUT & WASH.
 4 - 7/8" x 2" A325 BOLTS w/H.H. NUT & WASH.

REF. DWG. E1, E2, E3, E4 & E5

4					
3					
2					
1					
REV	DESCRIPTION	DATE	SHOP NOTES	PROJECT	DRAWING NO.
			MAT'L A36 U.N.	MERRILLVILLE, IN	4
			OPEN HLS. 13/16" U.N.	g.c. BERGLUND CONSTRUCTION	
			WELDING E70XX	JOB NO. S07001	
			PAINT NO PAINT	DATE 01/22/07	
				CHK'D BY CS	



WILSON IRON WORKS, INC.
 1150 EAST SUMMIT ST.
 CROWN POINT, IN
 (219) 663-7900 - 769-8686