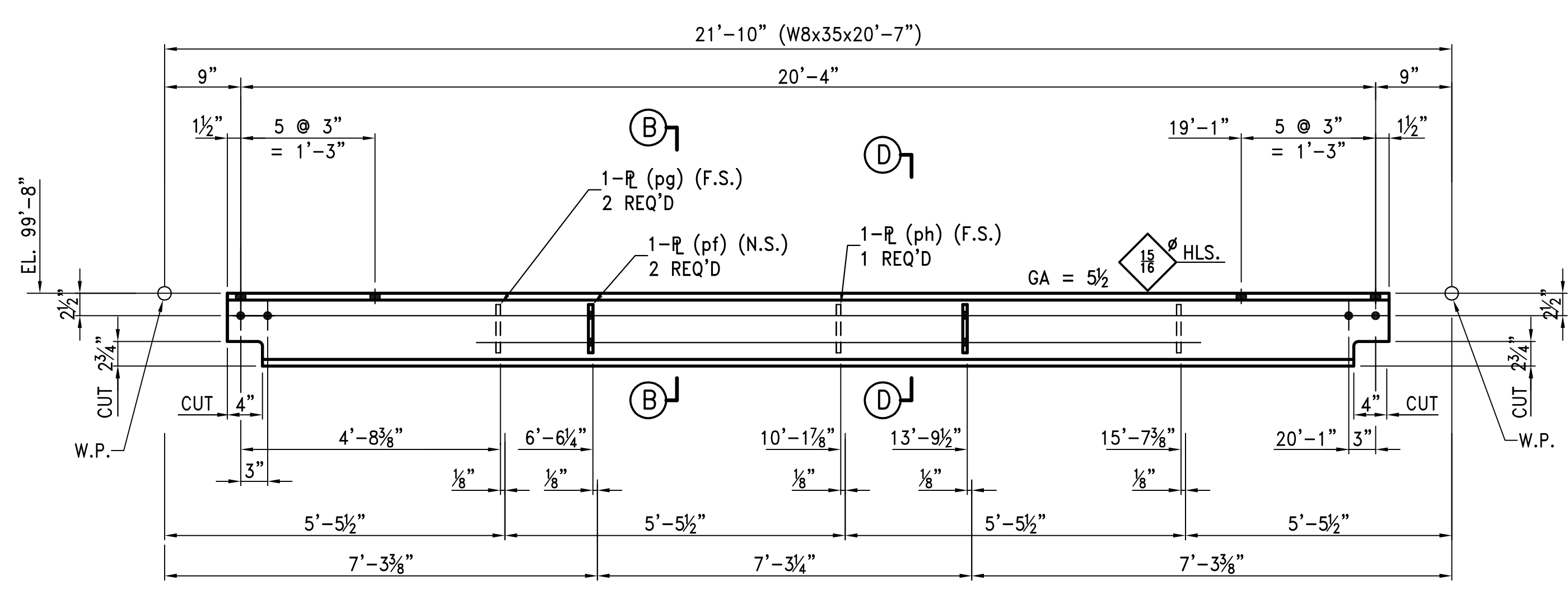
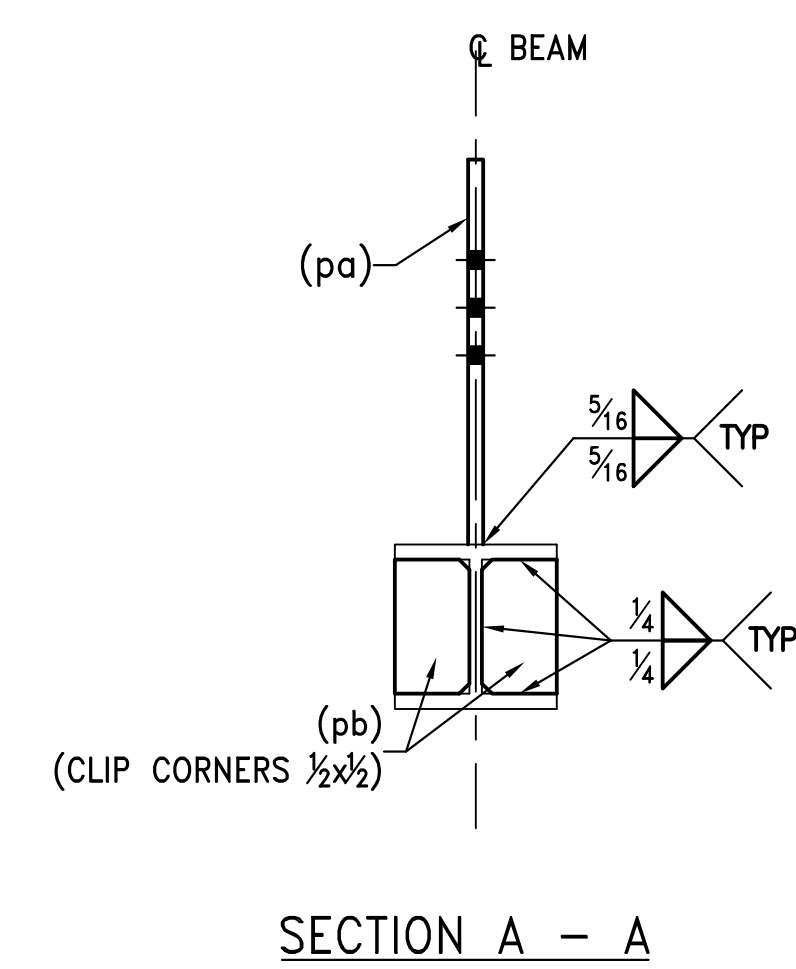
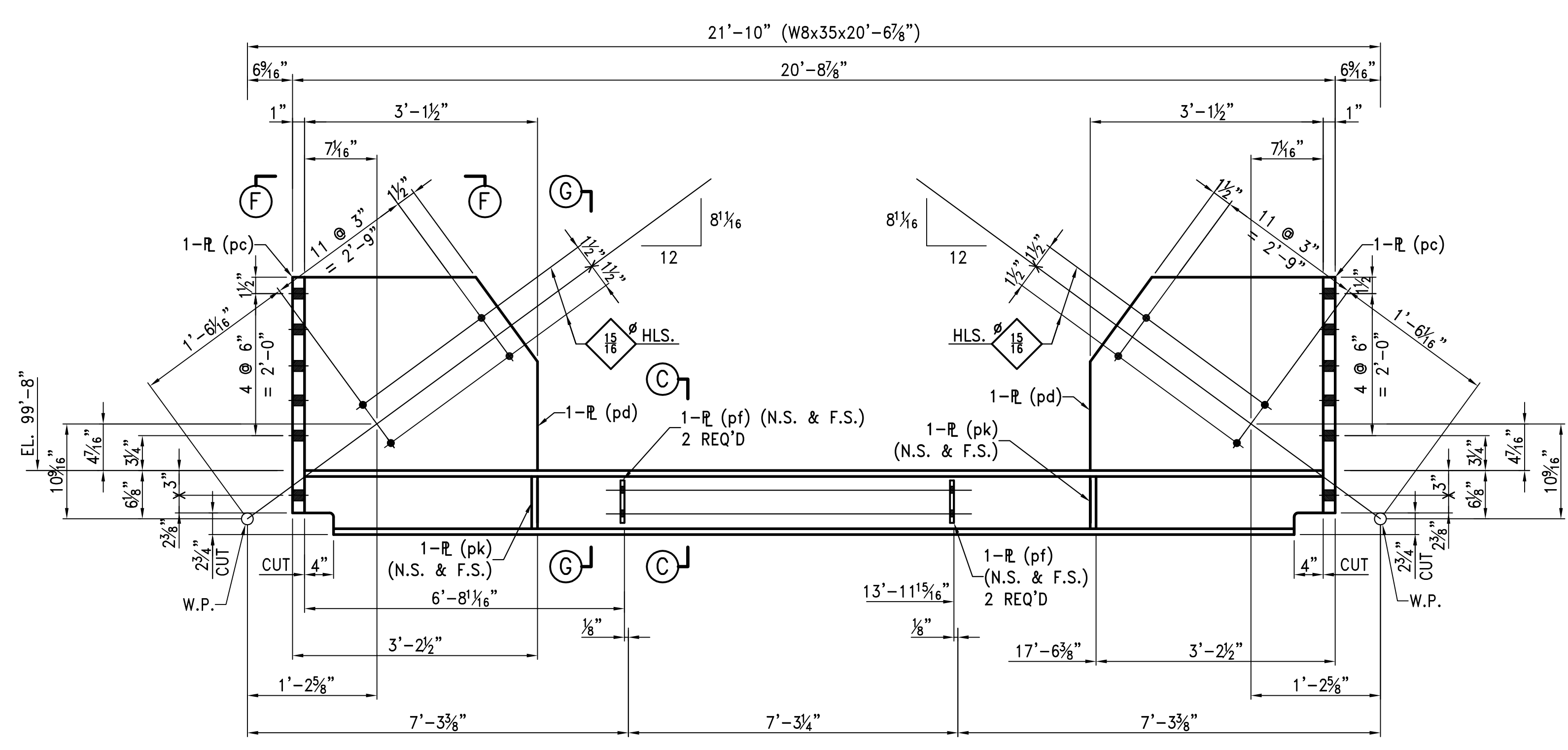
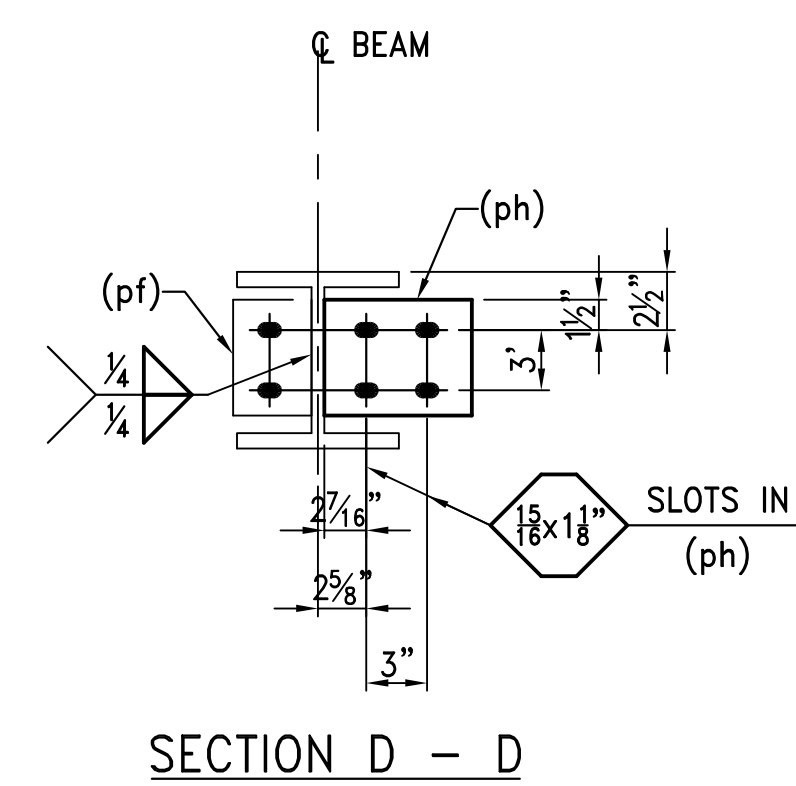
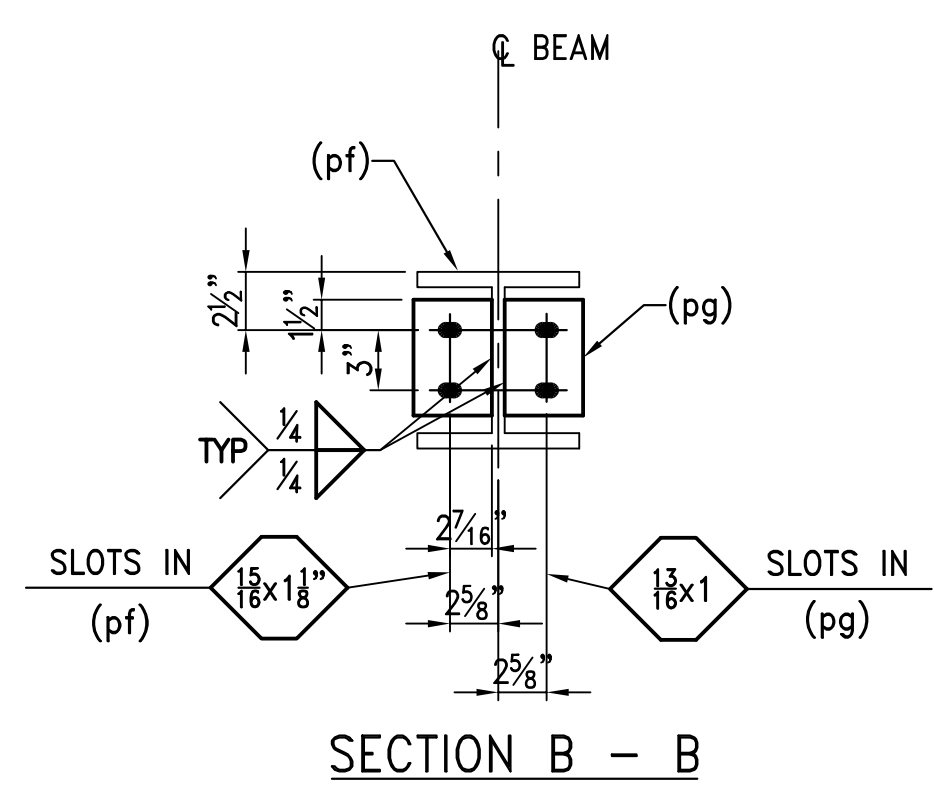


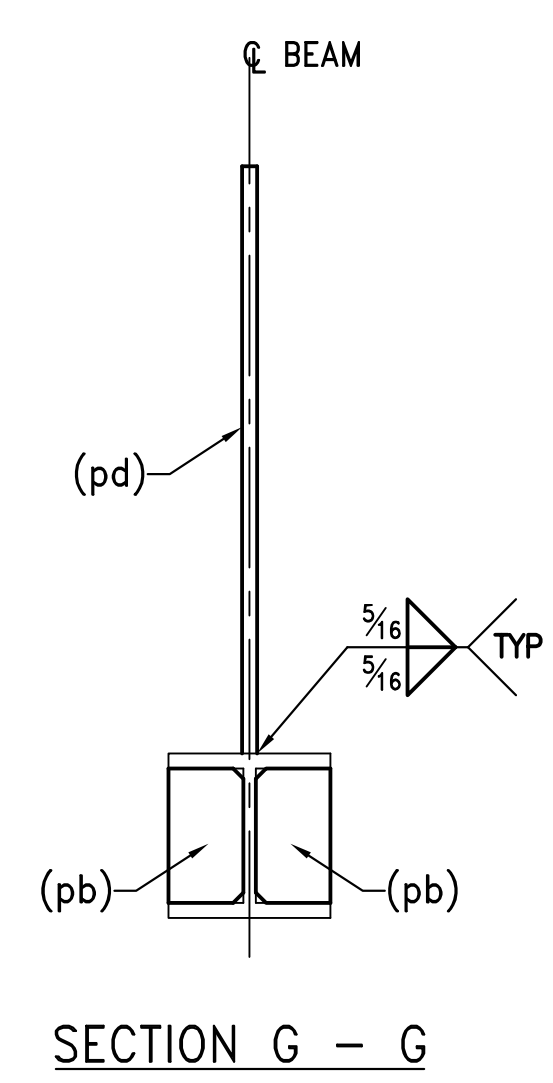
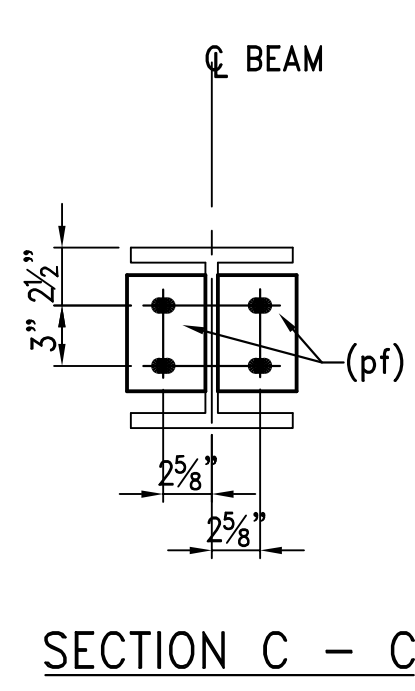
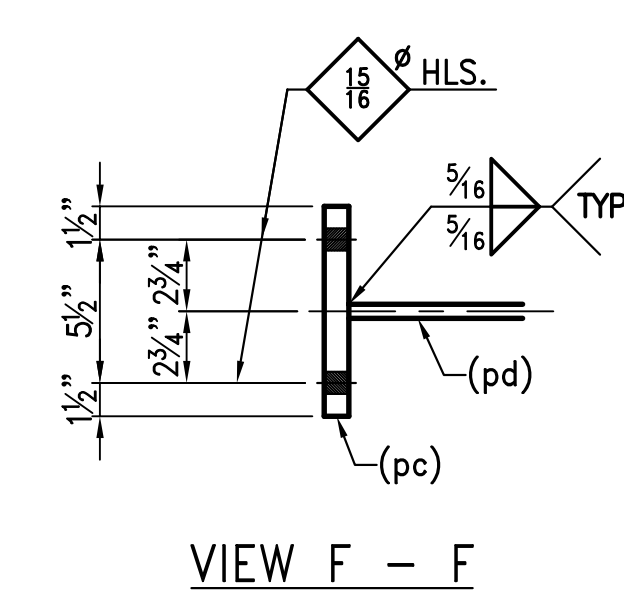
2 - BEAM - 3B1A



ONE - BEAM - 3B2A



ONE - BEAM - 3B3A



BILL OF MATERIAL						
NO REQ'D	MARK NO	DESCRIPTION	LENGTH		REMARKS	SAW CUT
			FT	IN		
2	3B1A	BEAM				
2		W8 x 35	25	1 1/2	A992 GR 50	
2	pa	PL 3/4 x 27 1/2	4	6		
12	pb	PL 1/2 x 4	0	7		
ONE	3B2A	BEAM				
1		W8 x 35	20	7	A992 GR 50	
2	pf	PL 3/8 x 4	0	6		
2	pg	PL 3/8 x 4	0	6		
1	ph	PL 3/8 x 6	0	7		
ONE	3B3A	BEAM				
1		W8 x 35	20	6 7/8	A992 GR 50	
2	pd	PL 1/2 x 28 3/4	3	1 1/2		
4	pf	PL				
2	pc	PL 1 x 8 1/2	2	10 3/8		
4	pb	PL				

FIELD BOLTS:
 36 - 7/8" x 4 1/2" A325 BOLTS w/H.H. NUT & WASH.
 48 - 7/8" x 2 1/2" A325 BOLTS w/H.H. NUT & WASH.
 16 - 7/8" x 2" A325 BOLTS w/H.H. NUT & WASH.
 4 - 3/4" x 2" A325 BOLTS w/H.H. NUT & WASH.

REF. DWG. E1

4					
3					
2					
1					
REV	DESCRIPTION	DATE	SHOP NOTES	PROJECT	DRAWING NO.
			MATL A36 U.N.	MERRILLVILLE, IN	3
			OPEN HLS. 13/16" U.N.	G.C. BERGLUND CONSTRUCTION	
			WELDING E70XX	JOB NO. S07001	
			PAINT NO PAINT	DRAWN BY RAV	
				DATE 01/08/07	
				CHK'D BY CS	

WILSON IRON WORKS, INC.
 1150 EAST SUMMIT ST.
 CROWN POINT, IN
 (219) 663-7900 - 769-8686